



**MICRO-**  
**PARTS CATALOG**

**Z1A** 900ccm 1974

Rahmen Nr. Z1F-020001 ~ 047499

Motor Nr. Z1E 020001 ~ 047499

Farbe: Candy Orange



Left Side View



Right Side View

## Kawasaki Z1A (Z900) 1974

Index	page
1. Cylinder Head	8
2. Cam Shaft, Valve	10
3. Cylinder, Piston, Crank Shaft	12
4. Cam Chain, Tensioner	14
5. Crank Case	16
6. Crank Case Bolt & Stud Pattern	18
7. Clutch	20
8. Transmission Gears	22
9. Gear Change Mechanism	26
10. Kickstarter	28
11. Engine Covers	30
12. Carburetors	32
13. Oil Pump, Oil Filter	38
14. Mufflers, Air Cleaner	40
15. Contact Breaker	42
16. Starter Motor, Dynamo	44
17. Frame	46
18. Swinging Arm, Rear Shock Absorber	50
19. Footrests, Stands, Brake Pedal	52
20. Handlebar, Grips	54
21. Fender	56
22. Wheels	58
23. Front Hub	60
24. Rear Hub	62
25. Disc Brake Equipments A	64
26. Disc Brake Equipments B	66
27. Front Fork	68
28. Fuel Tank	70
29. Oil Tank, Side Covers	72
30. Dual Seat, Chain Cover	74
31. Cables	76
32. Electrical Equipments A	78
33. Electrical Equipments B	82
34. Electrical Equipments C	84
35. Tools	86
36. Special Service Tools	88
37. N° Verzeichnis	90



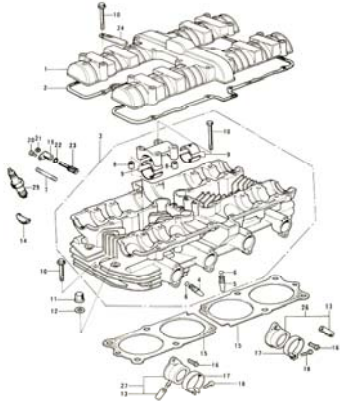
**NLA = nicht mehr lieferbar**

**NLA = n'est plus livrable**

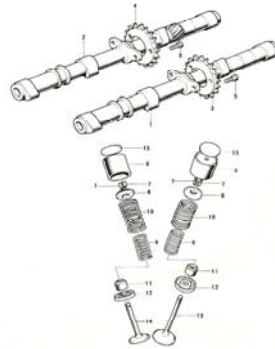
**NLA = non è più disponibile**

# Pictorial Index 1/5

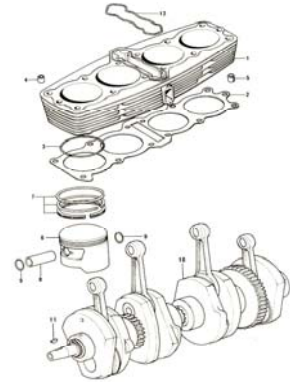
**1. Cylinder Head**



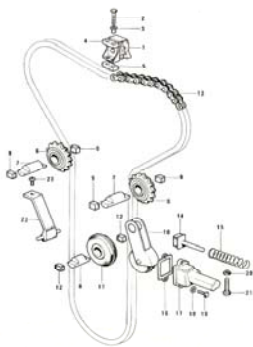
**2. Cam Shaft, Valve**



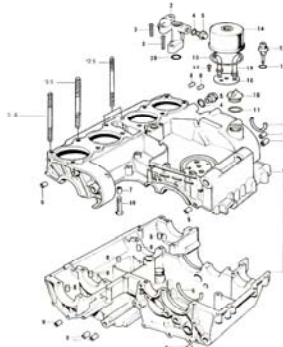
**3. Cylinder, Piston, Crank Shaft**



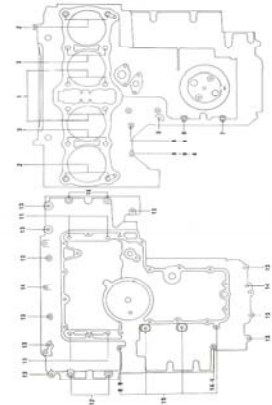
**4. Cam Chain, Tensioner**



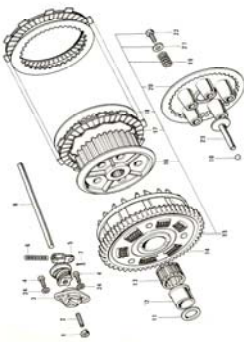
**5. Crank Case**



**6. Crank Case Bolt & Stud Pattern**



**7. Clutch**



**8. Transmission Gears 1/2**



**8. Transmission Gears 2/2**

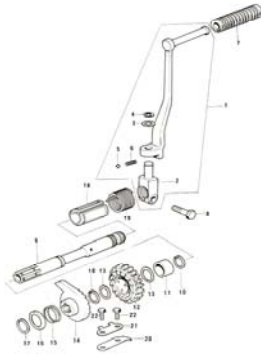


# Pictorial Index 2/5

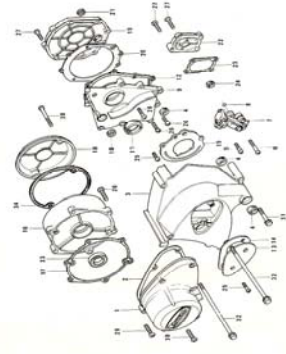
**9. Gear Change Mechanism**



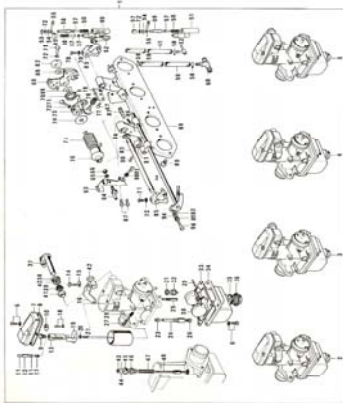
**10. Kickstarter**



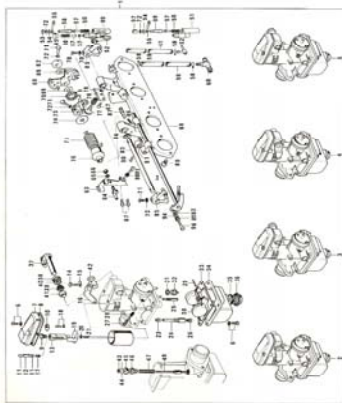
**11. Engine Covers**



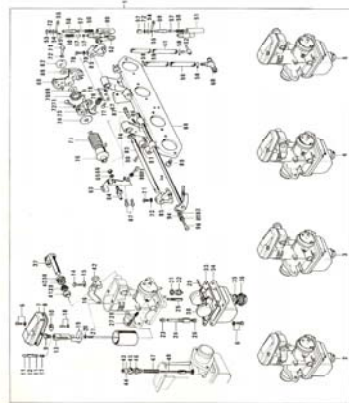
**12. Carburetors 1/3**



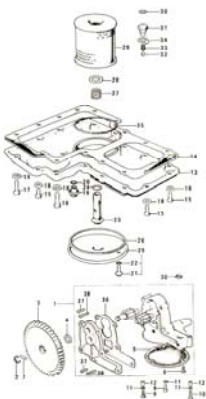
**12. Carburetors 2/3**



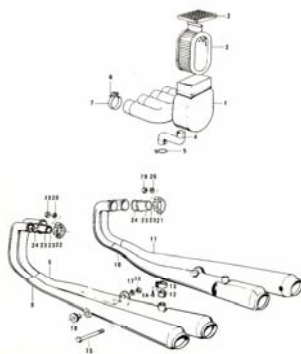
**12. Carburetors 3/3**



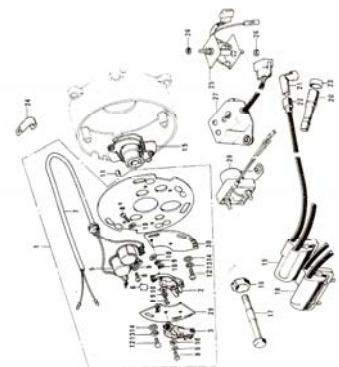
**13. Oil Pump, Oil Filter**



**14. Mufflers, Air Cleaner**

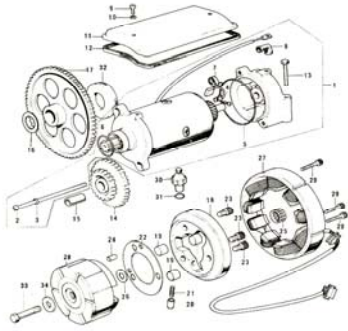


**15. Contact Breaker**

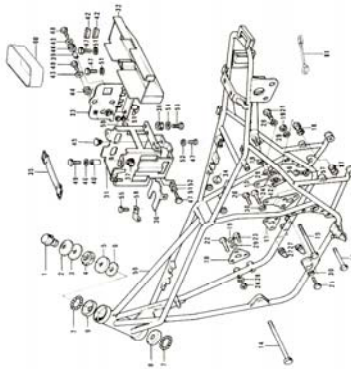


# Pictorial Index 3/5

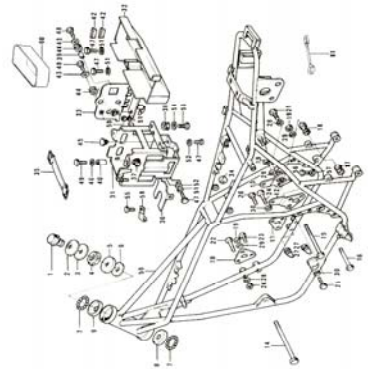
**16. Starter Motor, Dynamo**



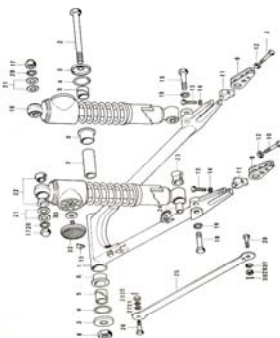
**17. Frame 1/2**



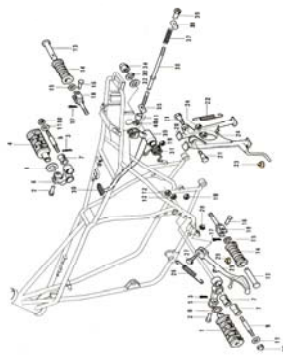
**17. Frame 1/2**



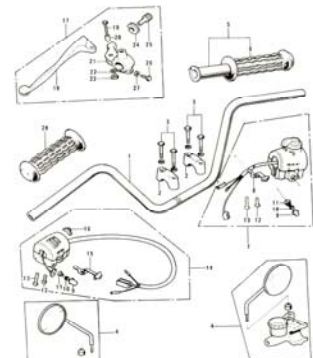
**18. Swinging Arm, Rear Shock Abs.**



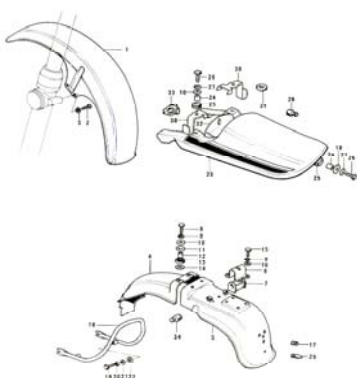
**19. Footrests, Stands, Brake Pedal**



**20. Handlebar, Grips**



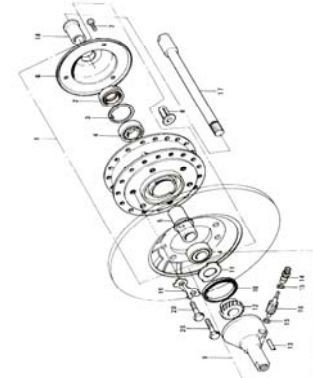
**21. Fender**



**22. Wheels**



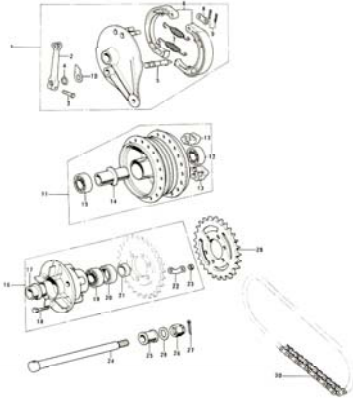
**23. Front Hub**



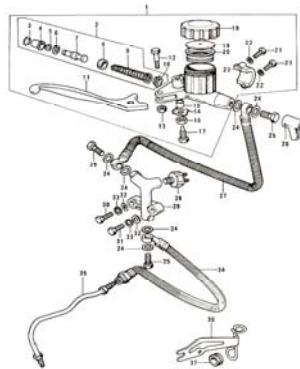


# Pictorial Index 4/5

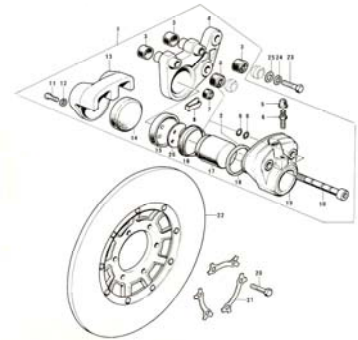
**24. Rear Hub**



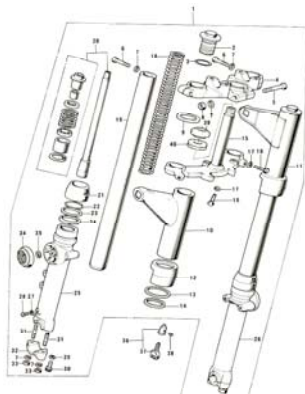
**25. Disc Brake Equipments A**



**26. Disc Brake Equipments B**



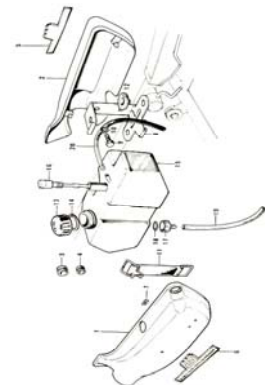
**27. Front Fork**



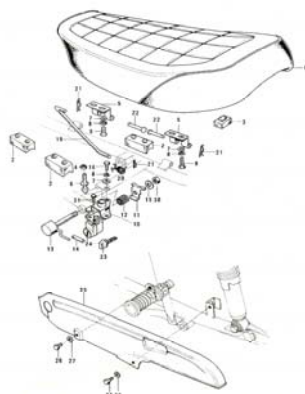
**28. Fuel Tank**



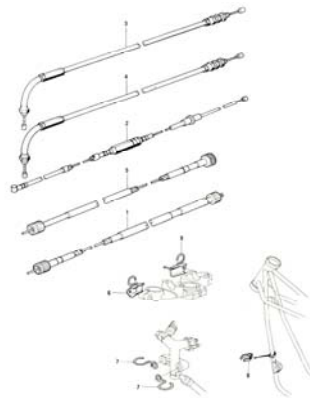
**29. Oil Tank, Side Covers**



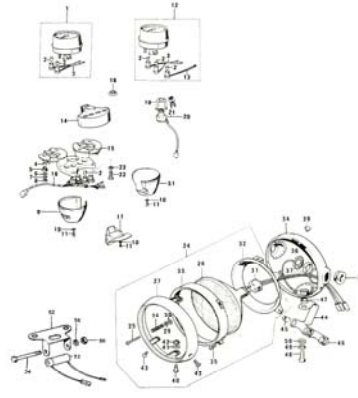
**30. Dual Seat, Chain Covers**



**31. Cables**

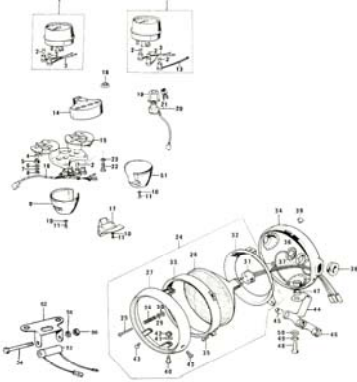


**32. Electrical Equipments A 1/2**

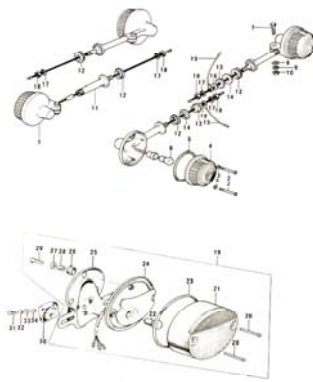


# Pictorial Index 5/5

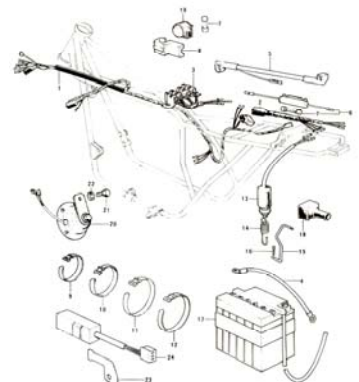
**32. Electrical Equipments A 2/2**



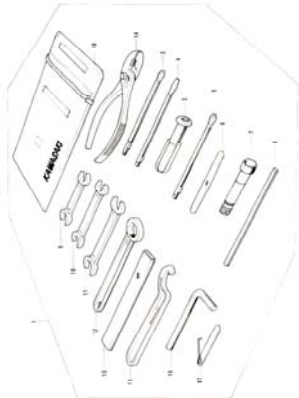
**33. Electrical Equipments B**



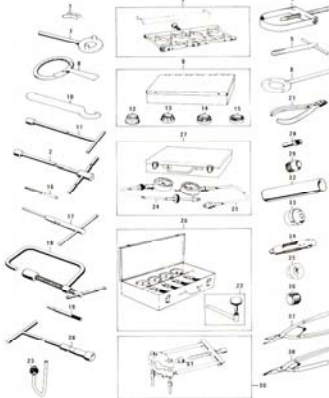
**34. Electrical Equipments C**



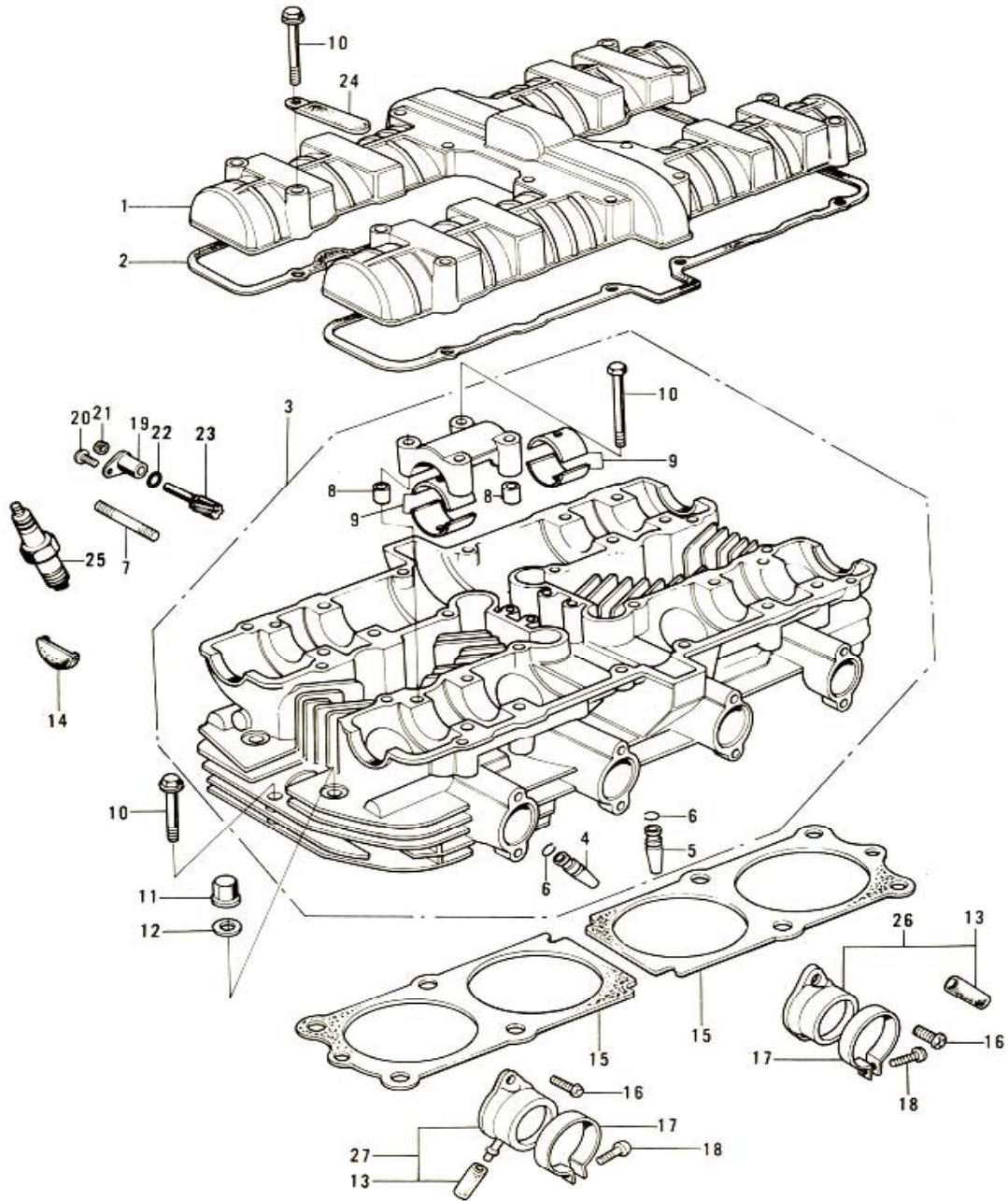
**35. Tools**



**36. Special Service Tools**

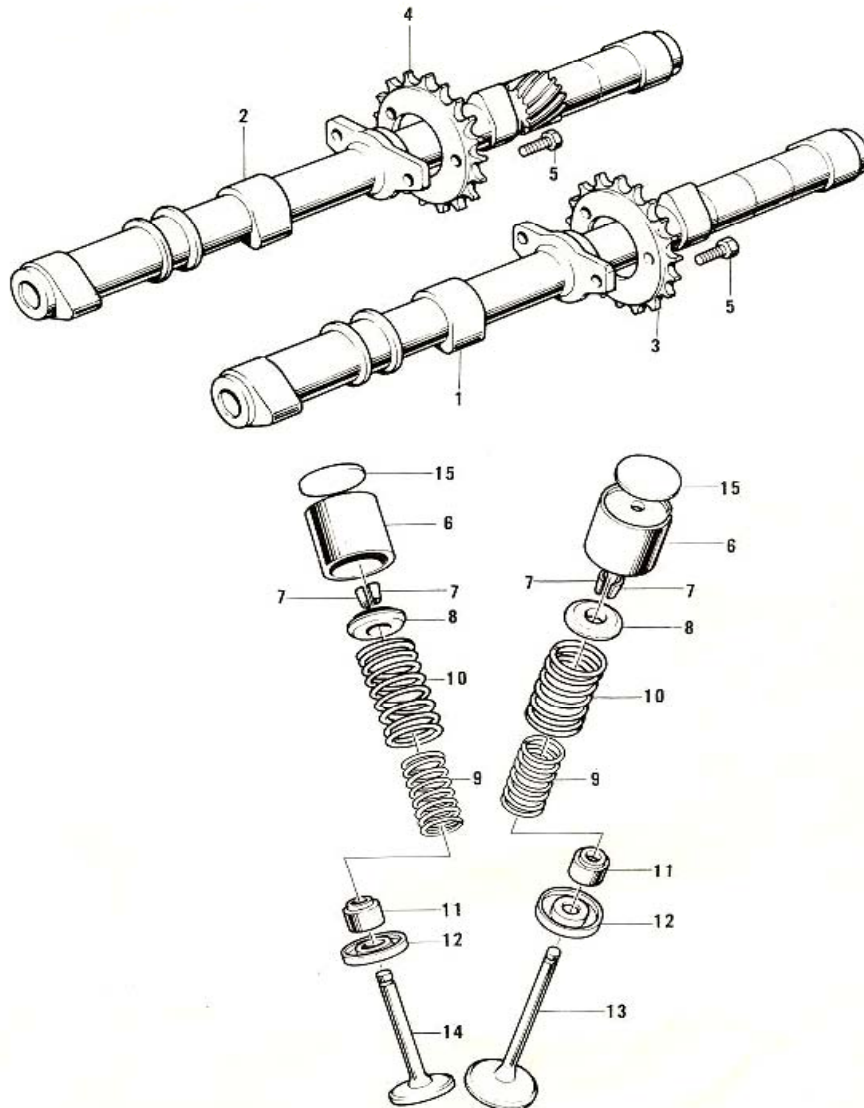


# 1. Cylinder Head

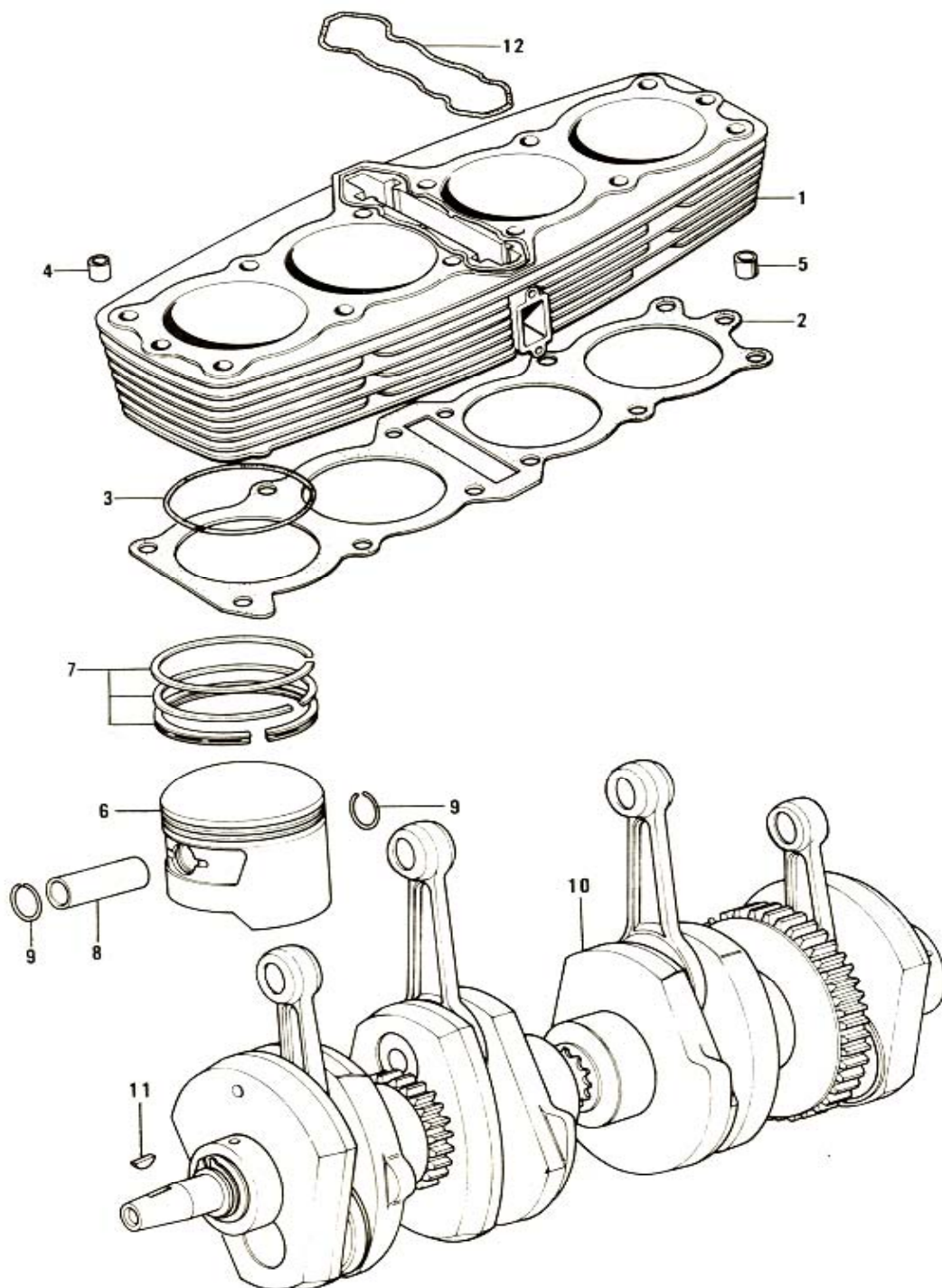




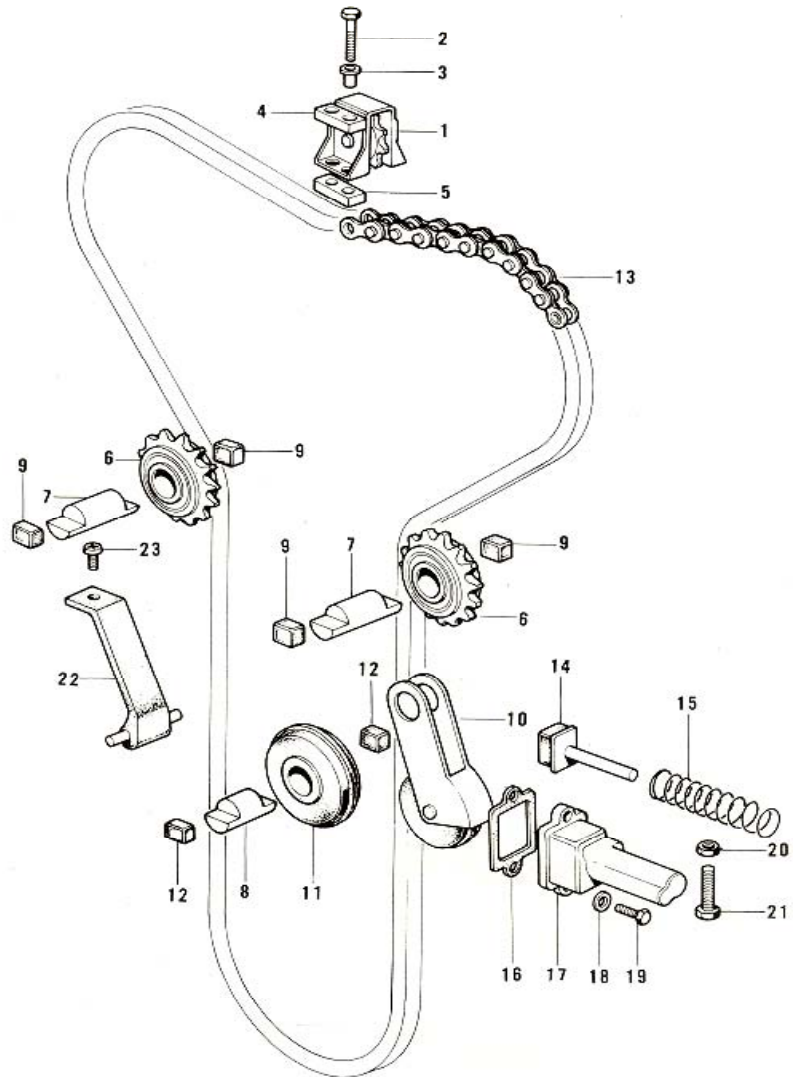
## 2. Cam Shaft, Valve



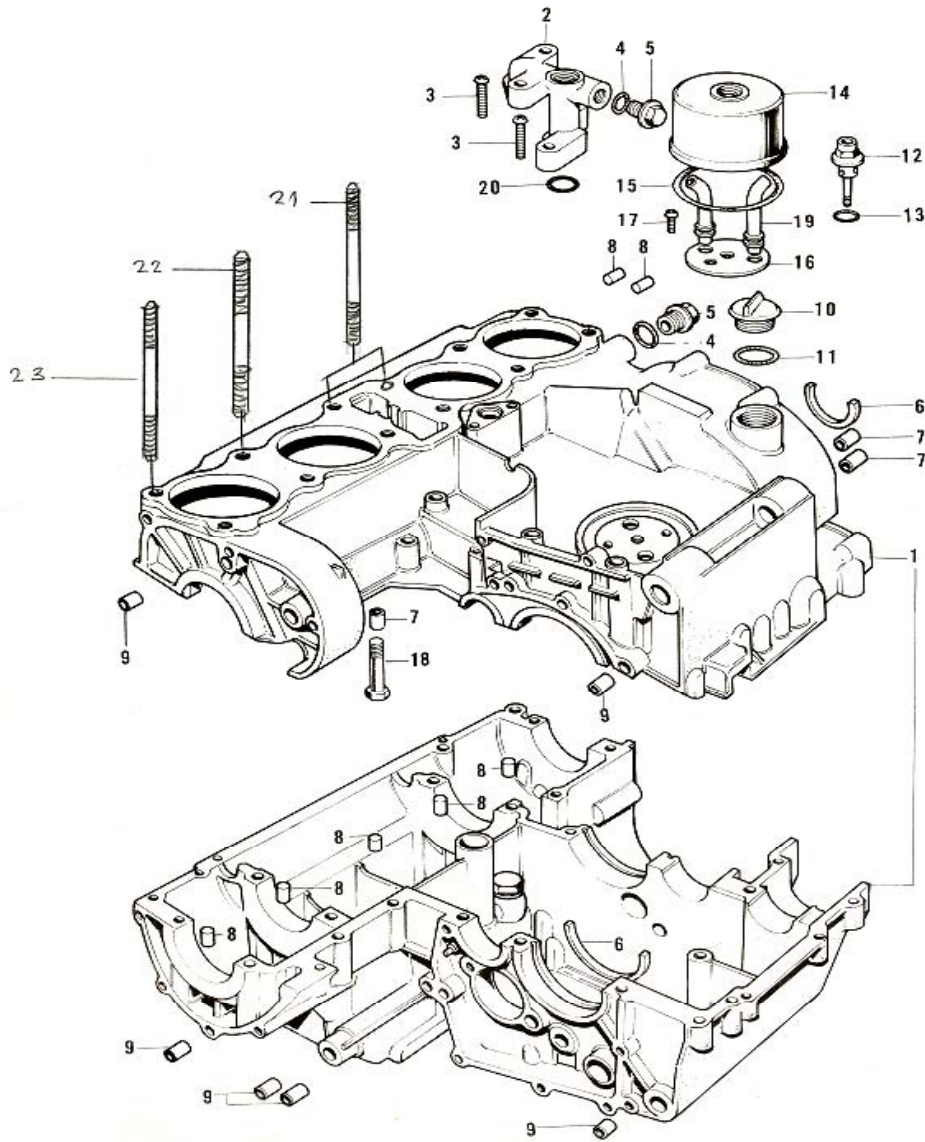
### 3. Cylinder, Piston, Crankshaft



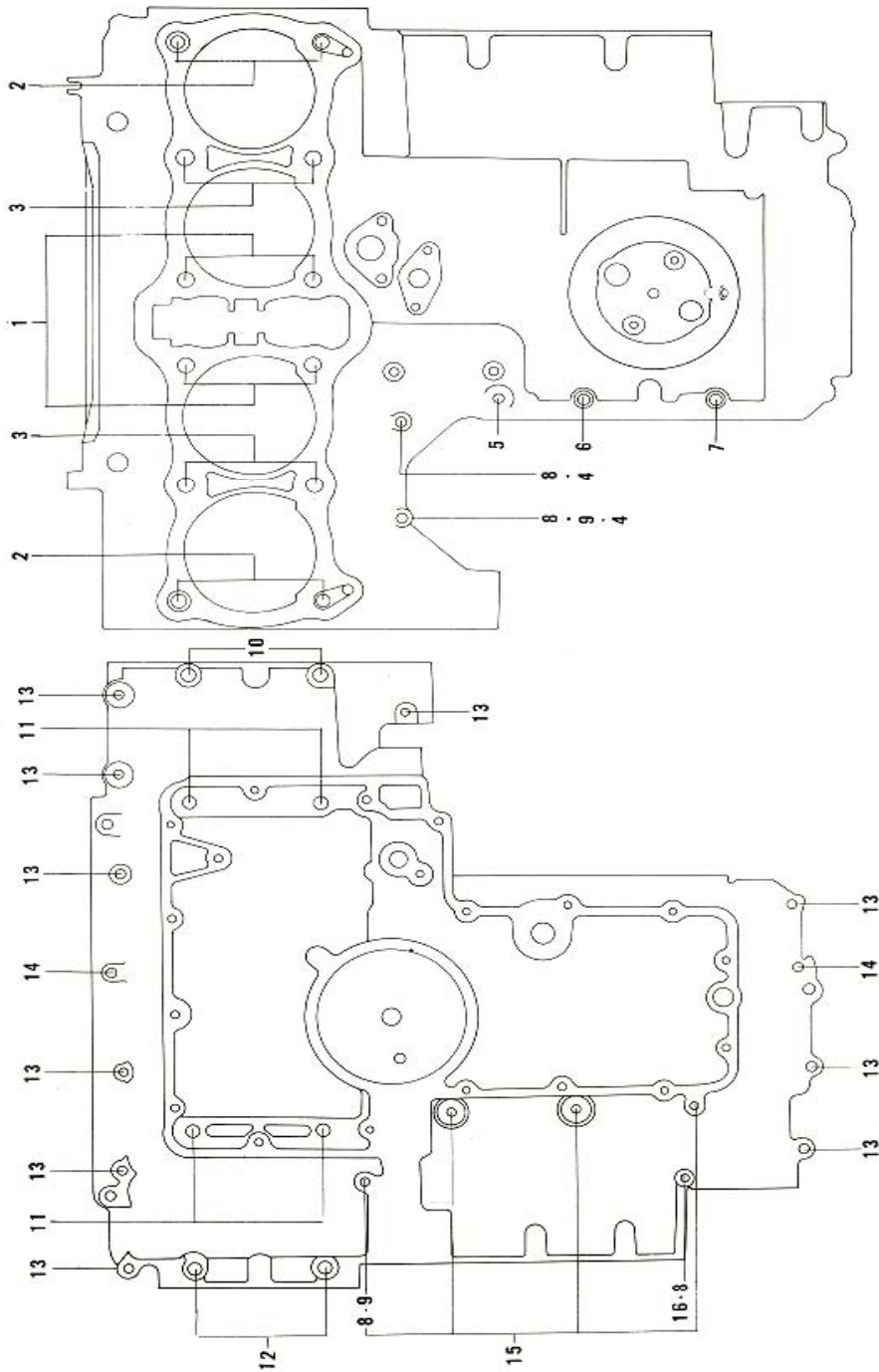
## 4. Cam Chain, Tensioner



## 5. Crank Case

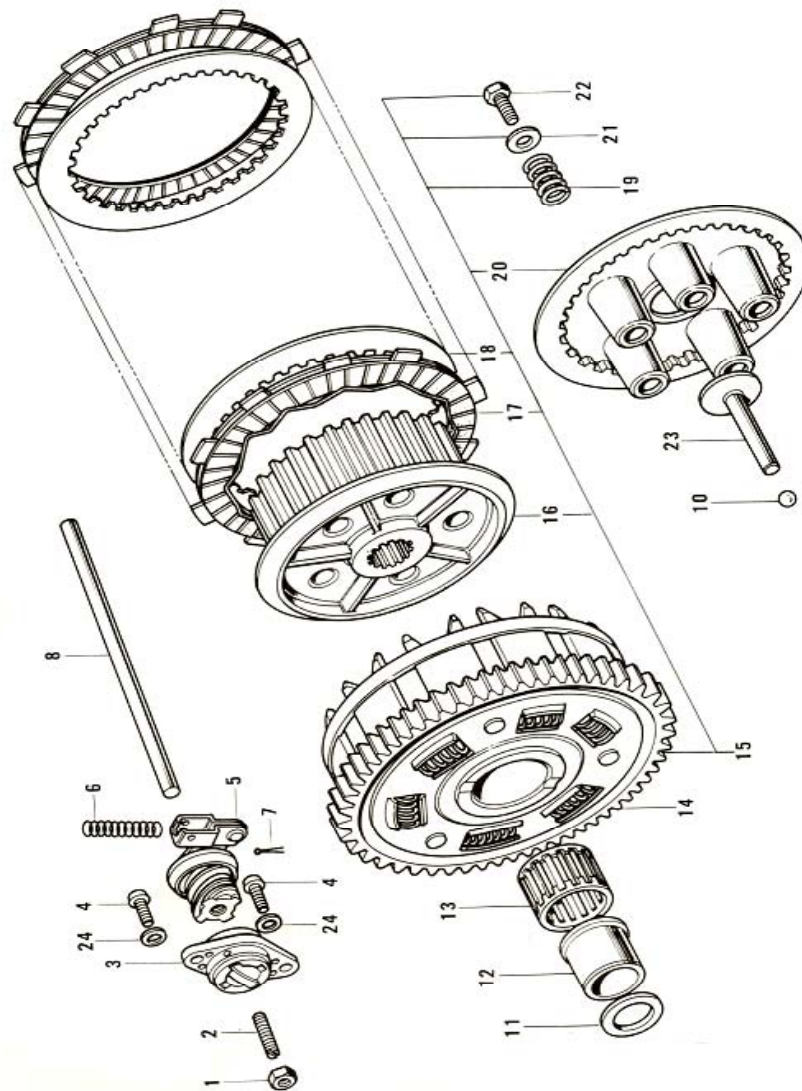


## 6. Crank Case Bolt & Stud Pattern

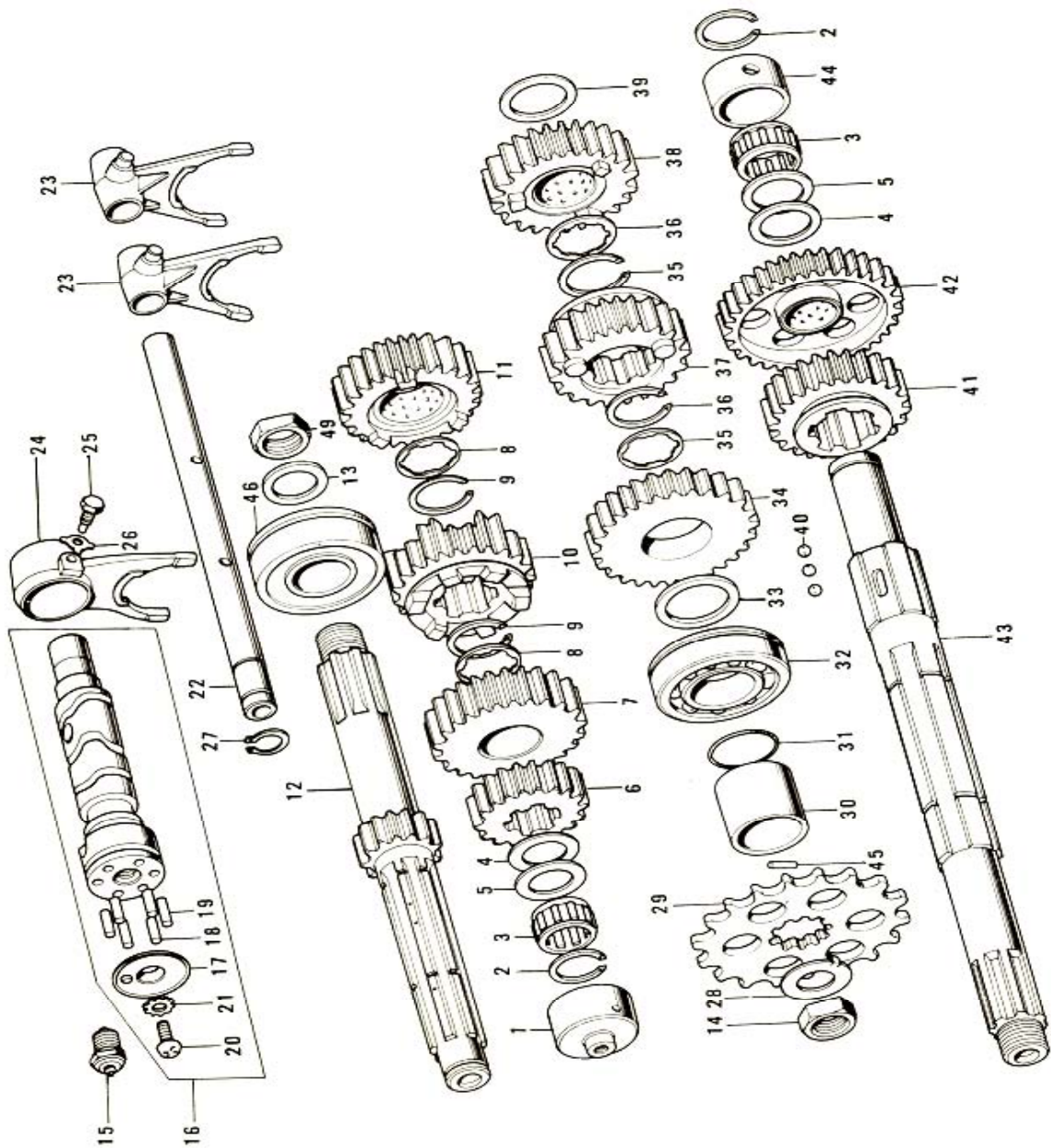




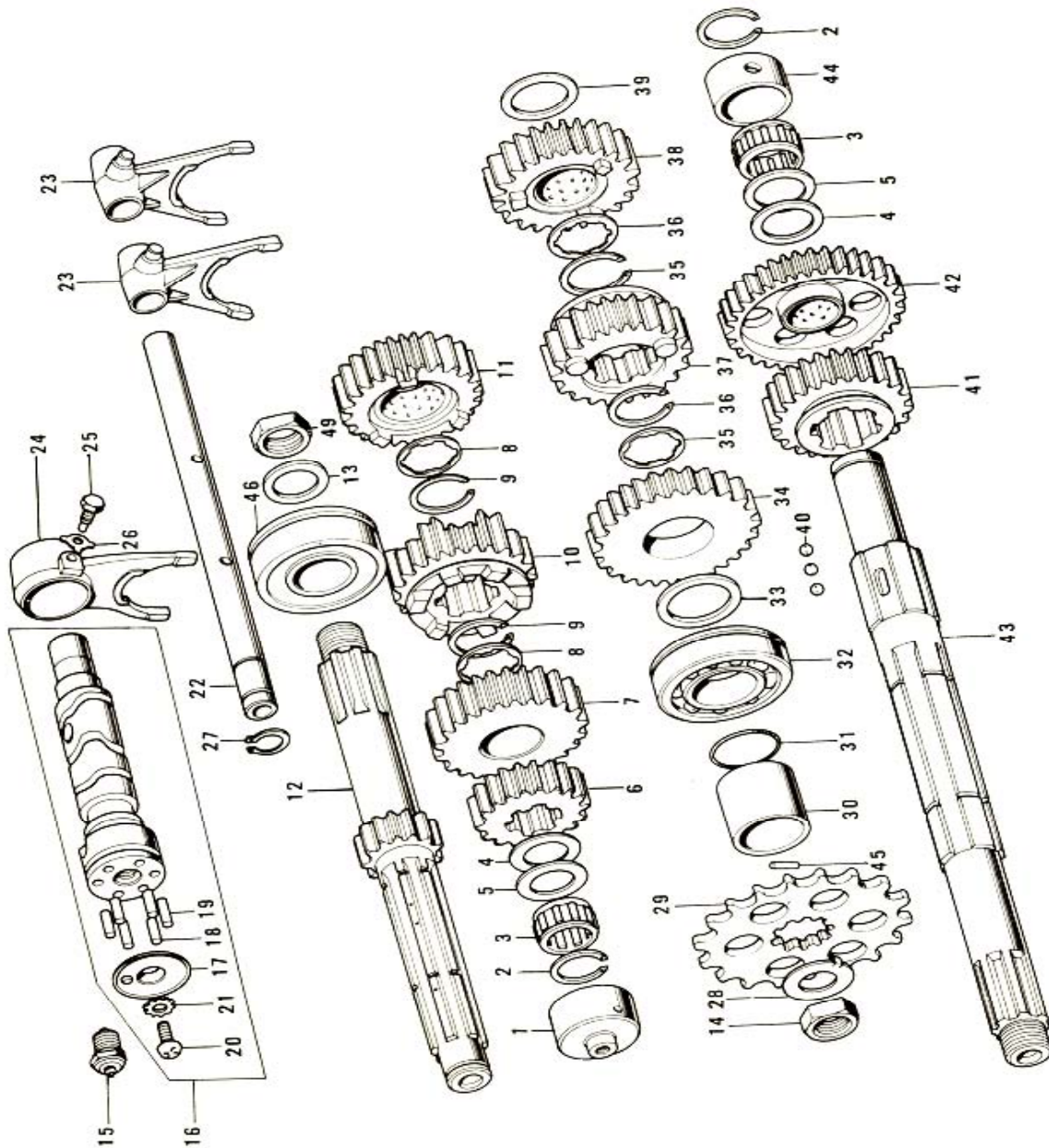
## 7. Clutch



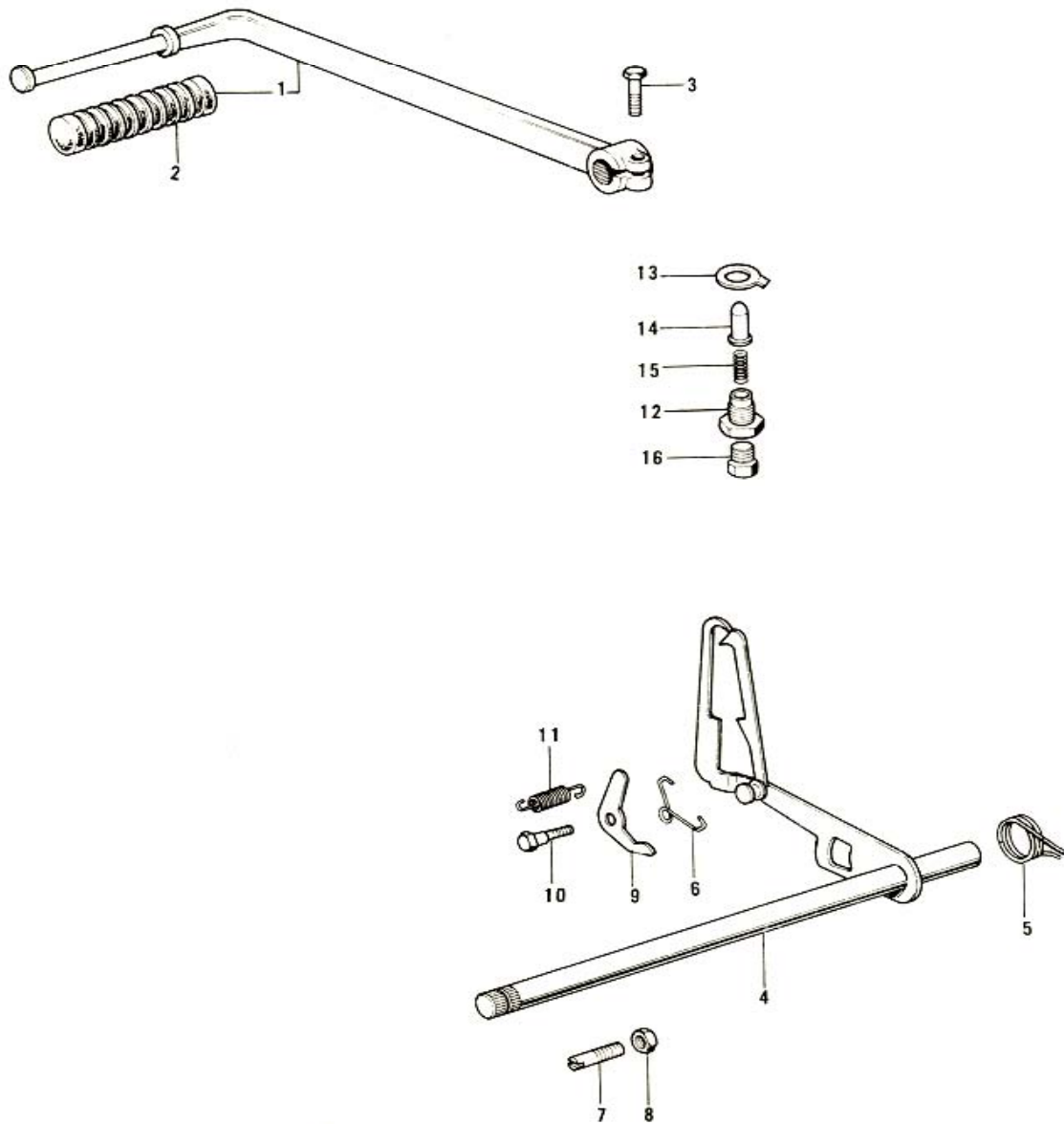
## 8. Transmission Gears 1/2



## 8. Transmission Gears 2/2

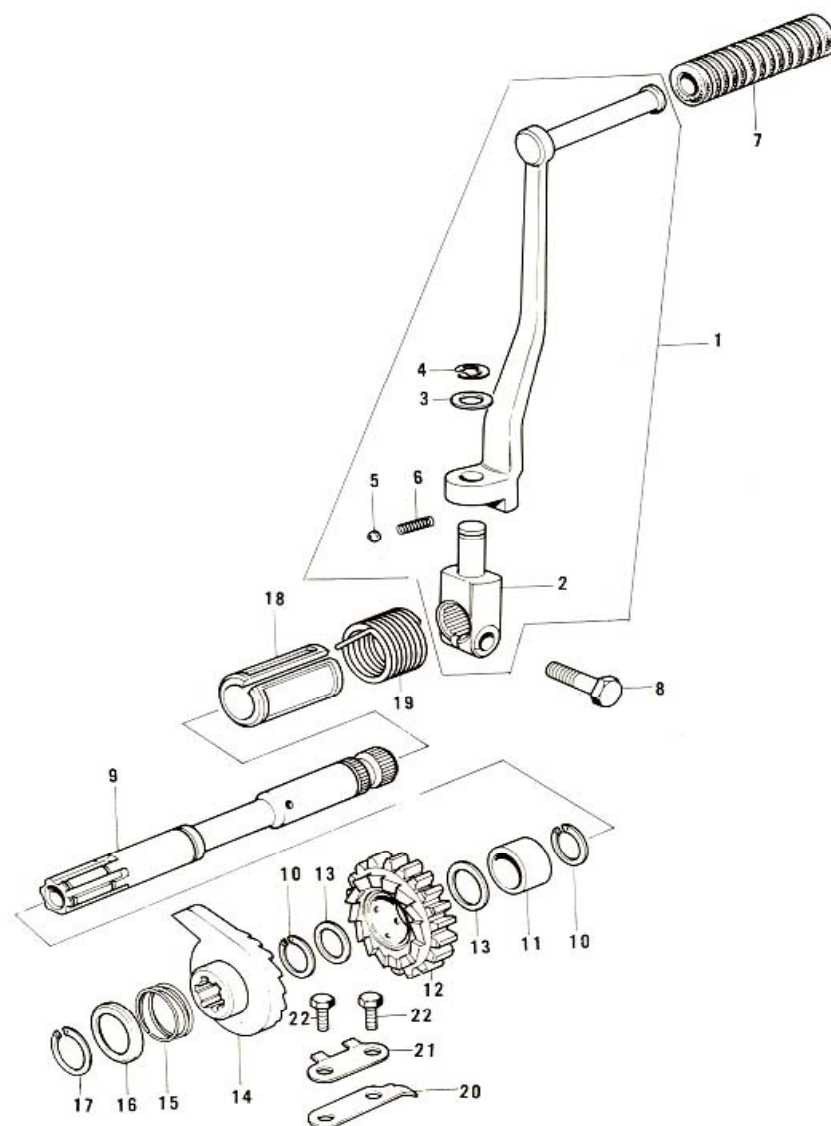


## 9. Gear Change Mechanism



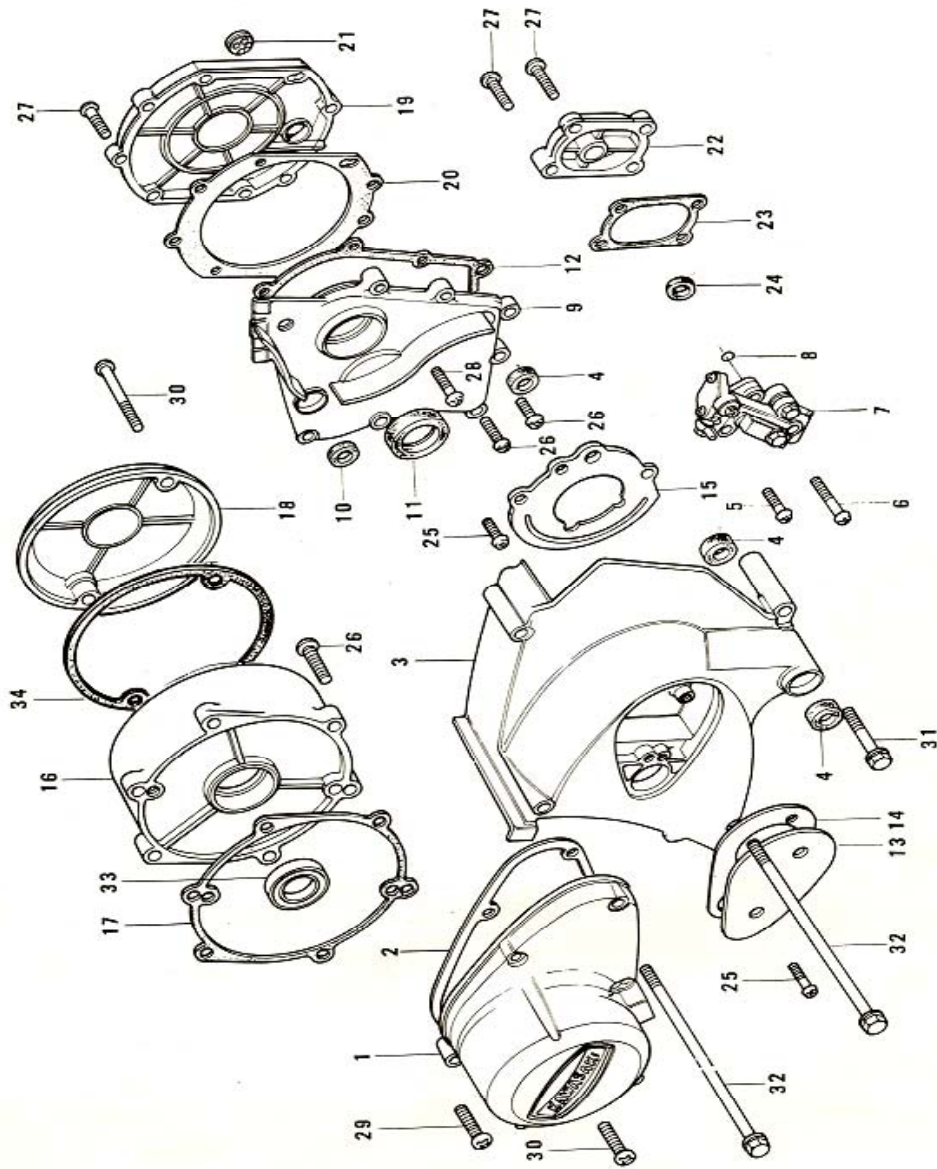


## 10. Kickstarter

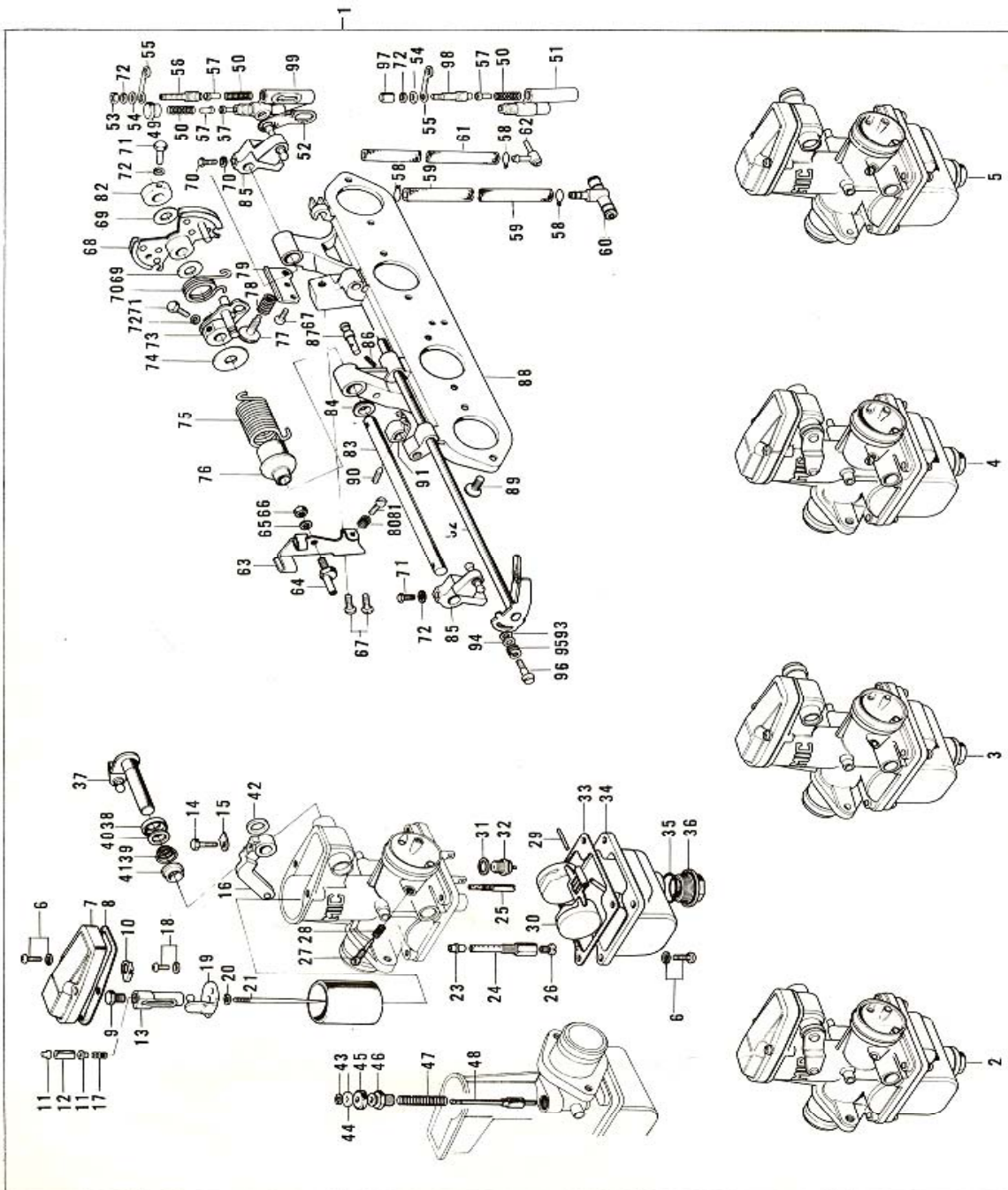




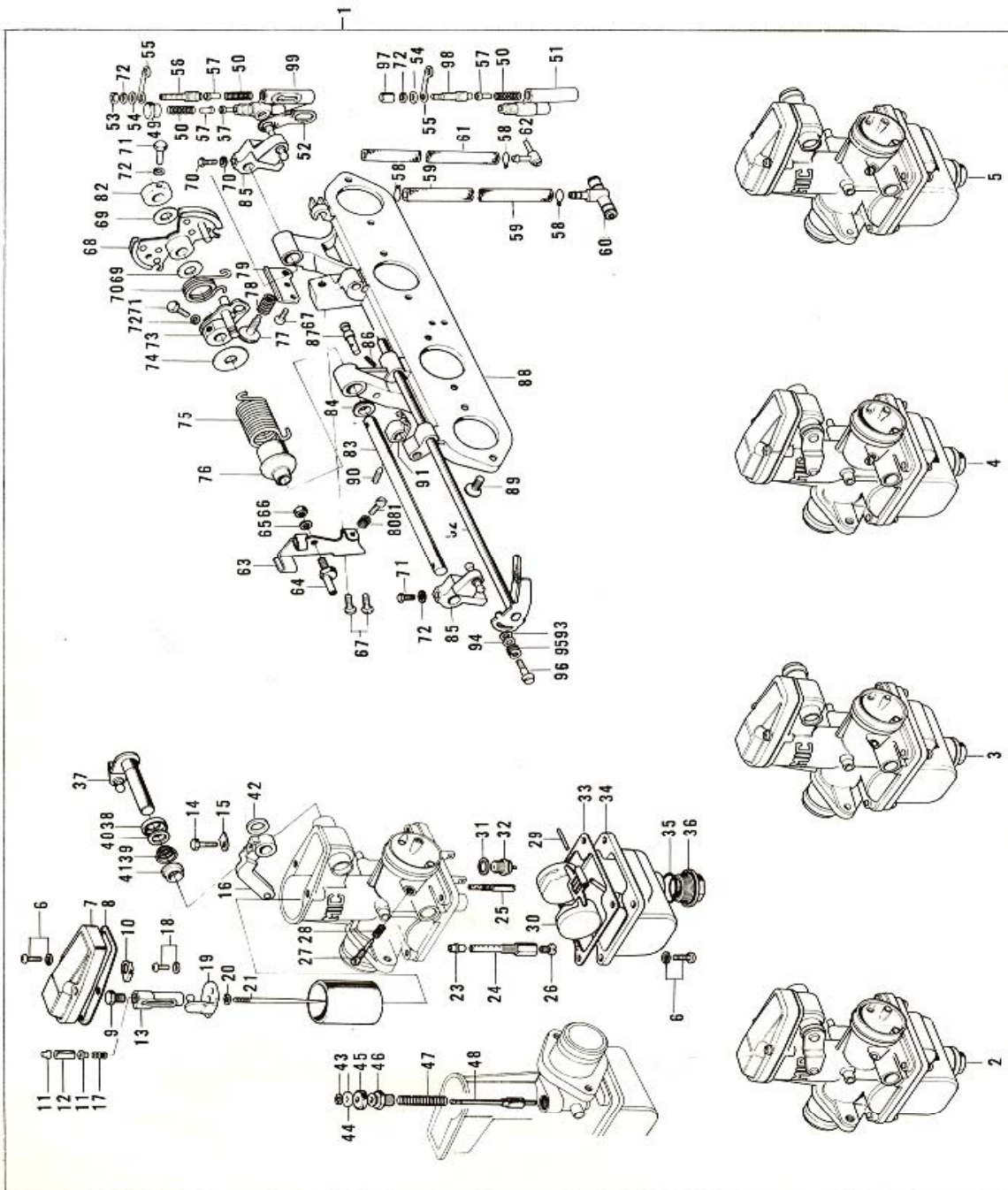
# 11. Engine Covers



# 12. Carburetors 1/3

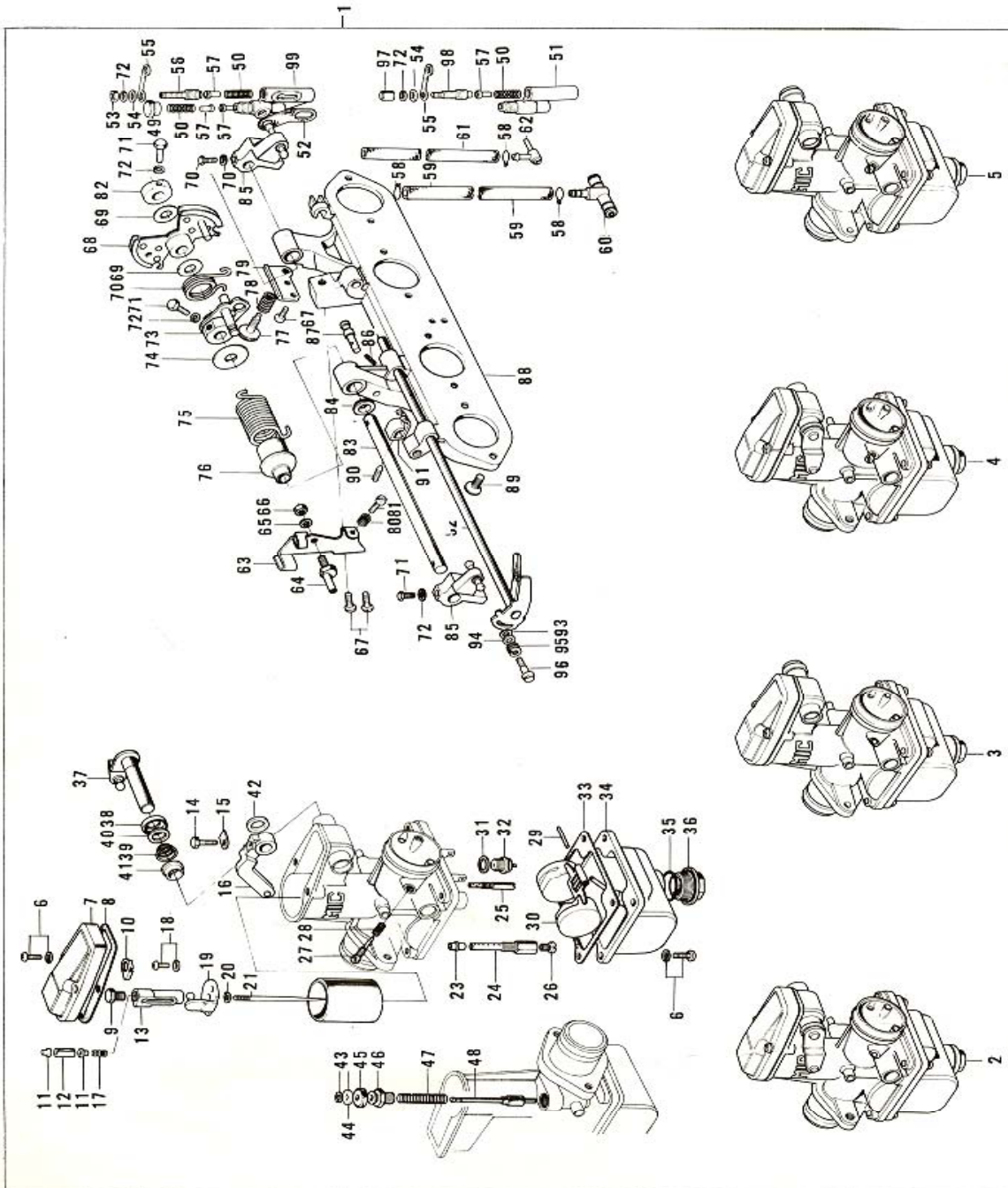


# 12. Carburetors 2/3

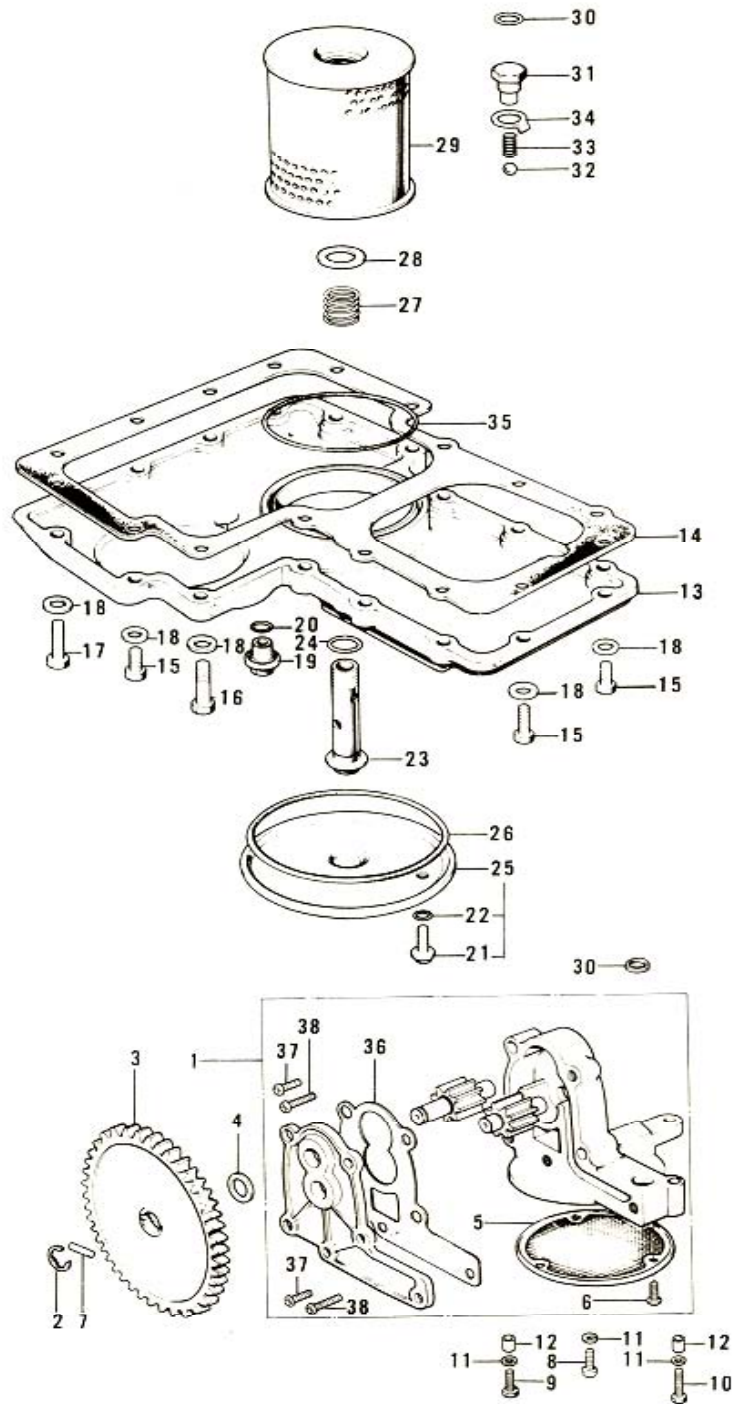




# 12. Carburetors 3/3

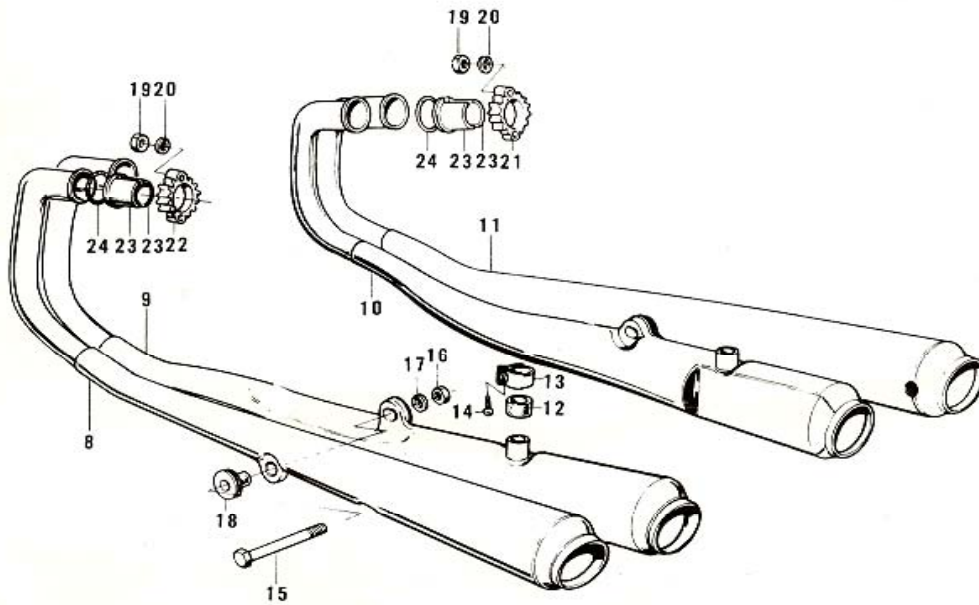
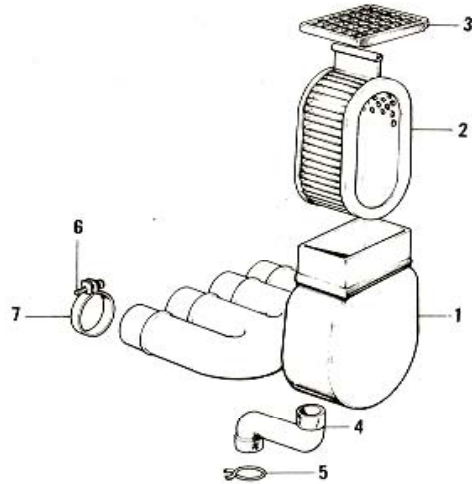


# 13. Oil Pump, Oil Filter

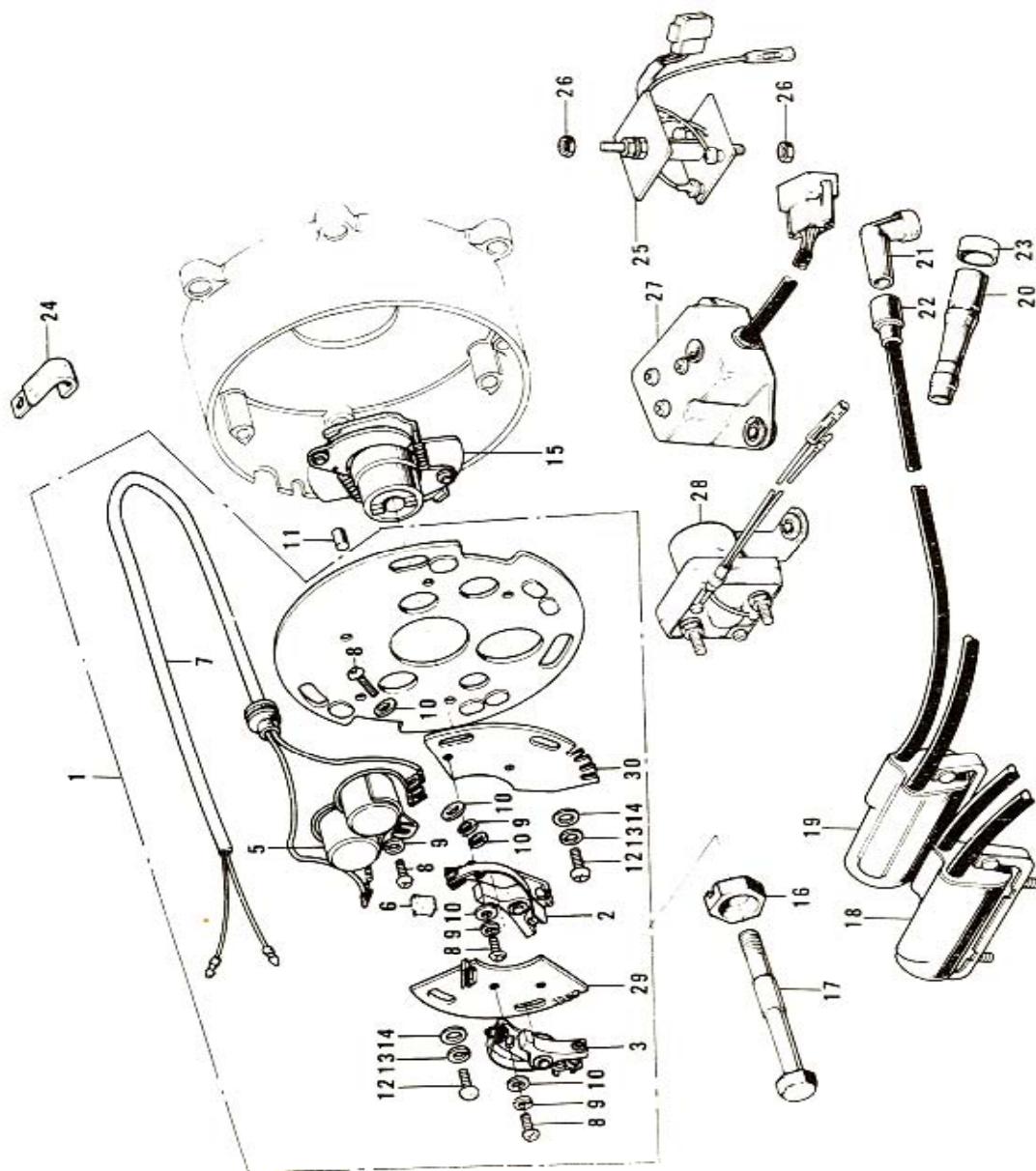




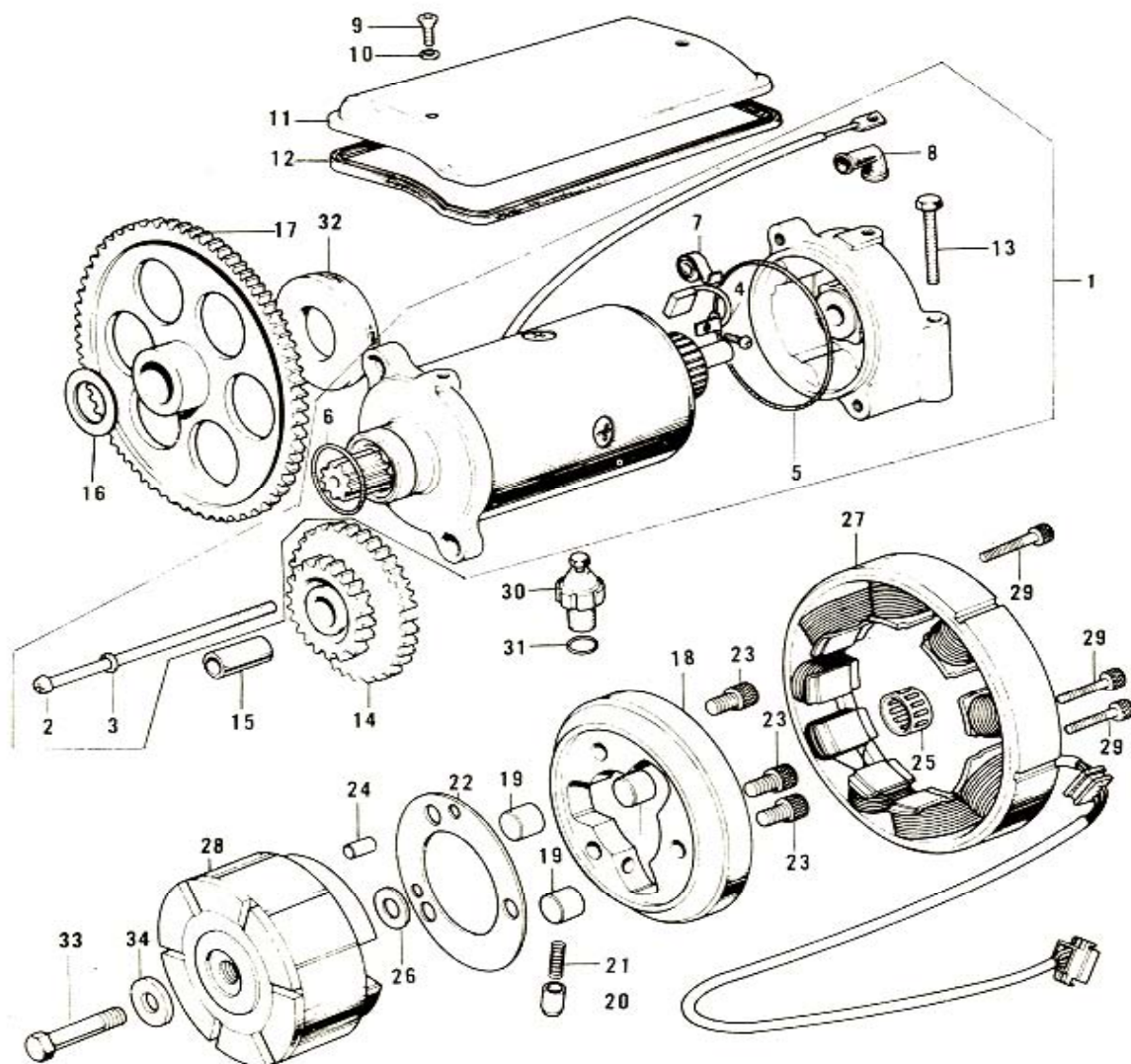
## 14. Muffler, Air Cleaner



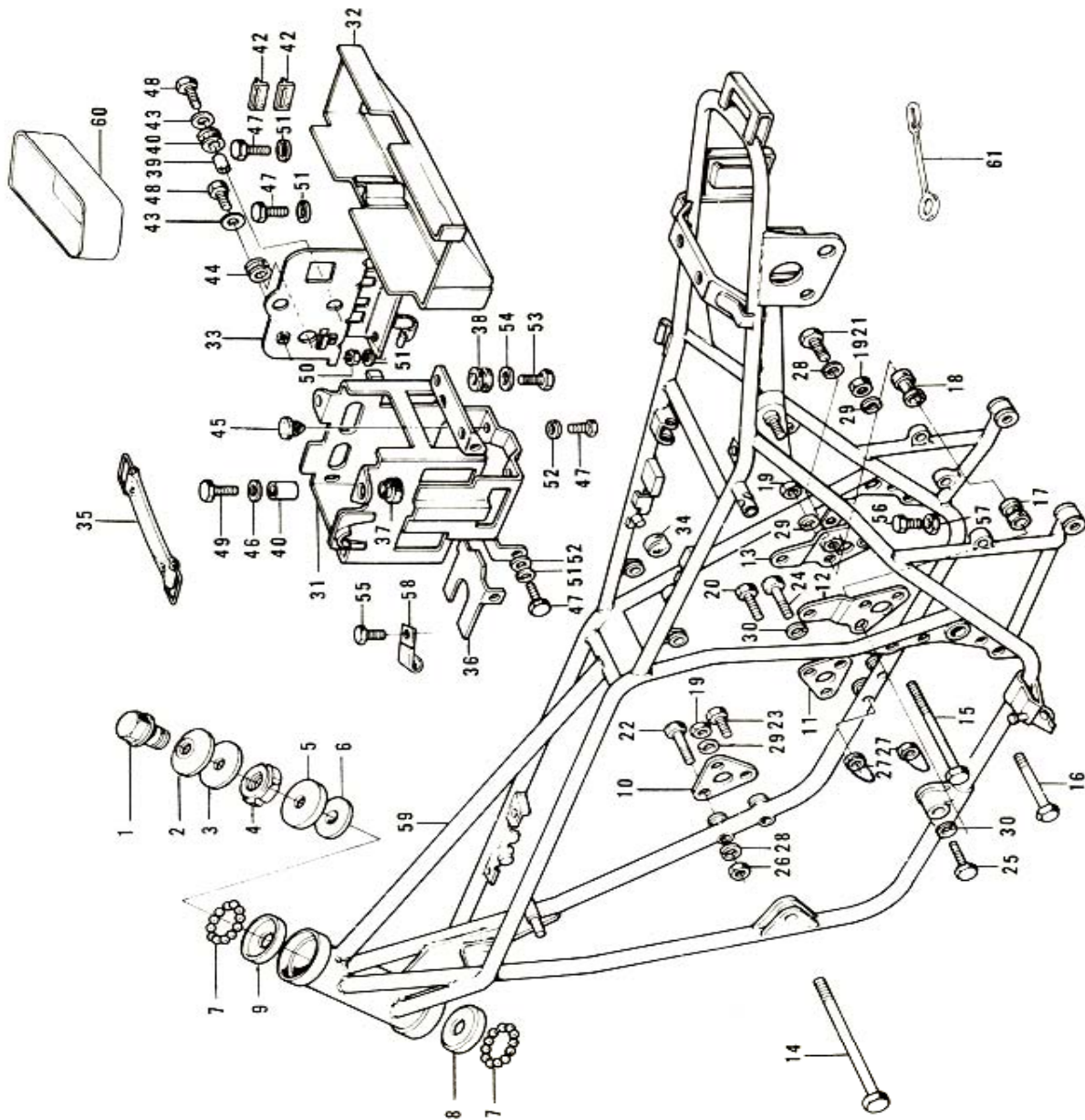
# 15. Contact Breaker, Spark Advancer



## 16. Starting Motor, Dynamo

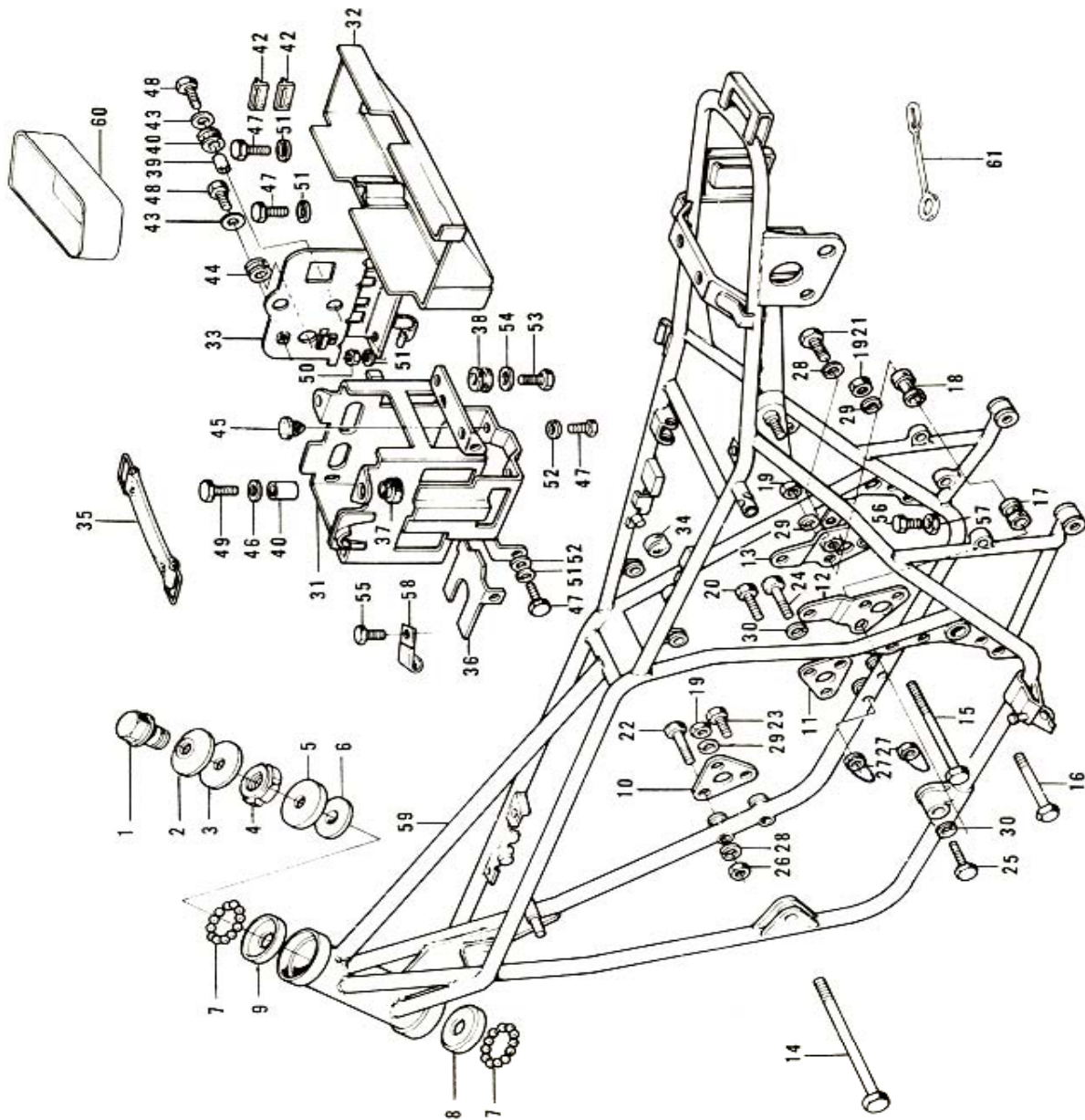


# 17. Frame 1/2



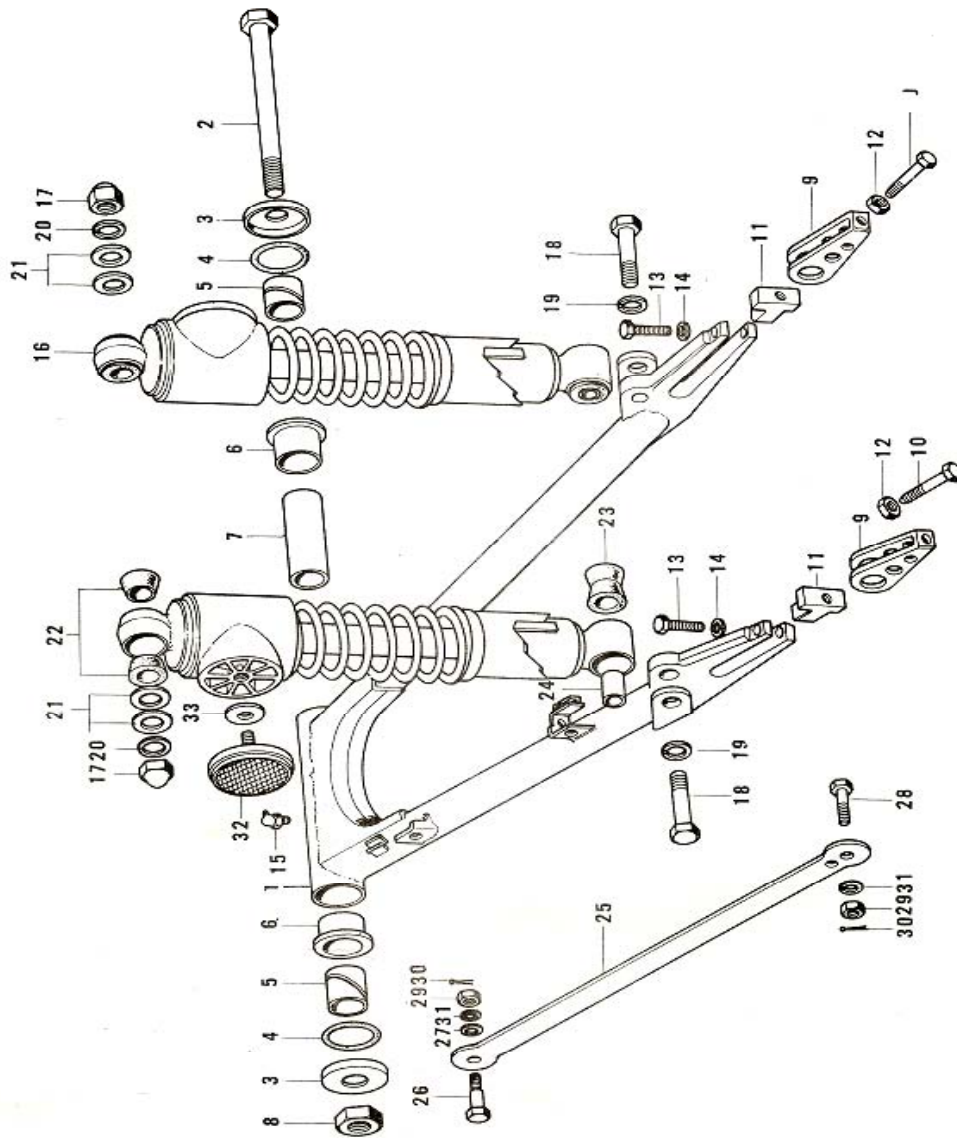


# 17. Frame 2/2

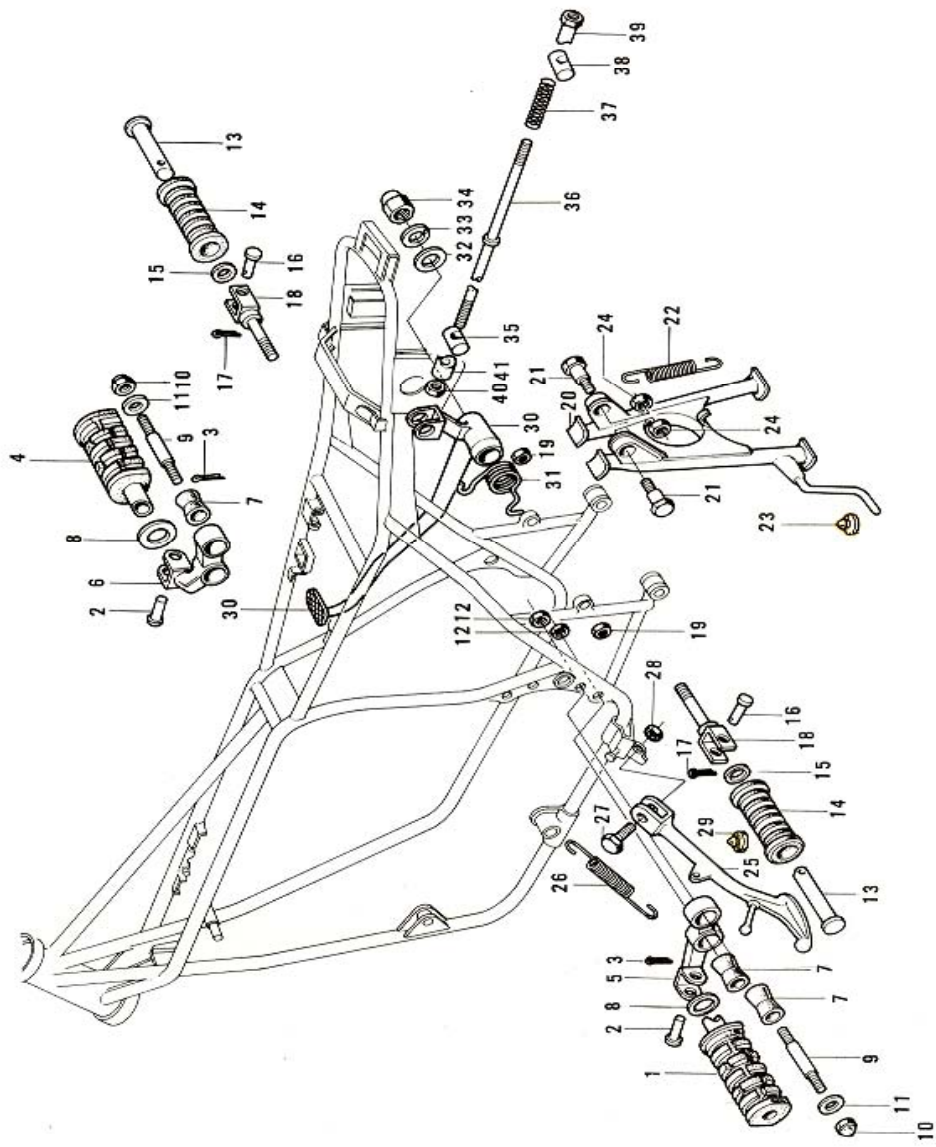




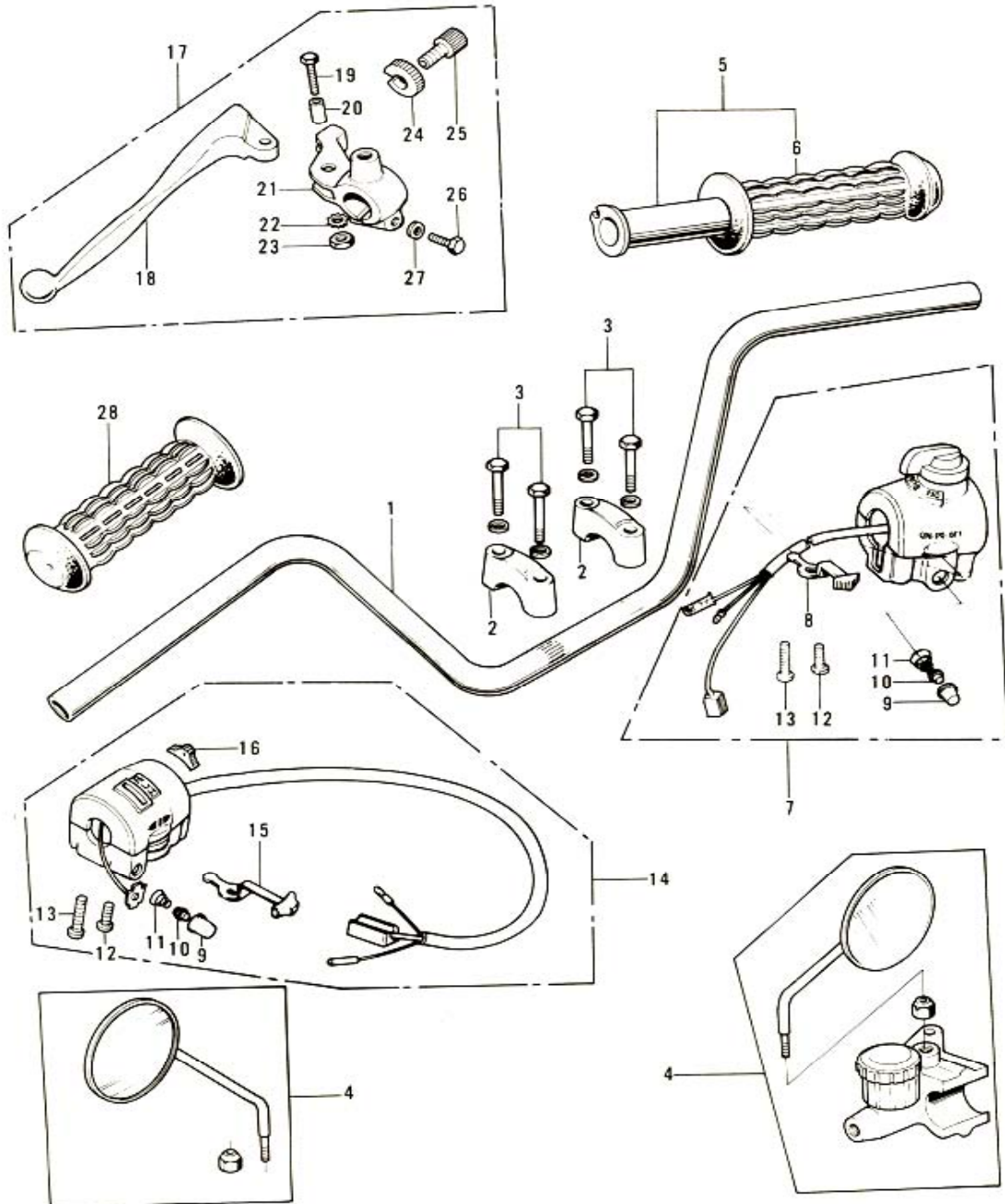
# 18. Swinging Arm, Rear Shock Absorber



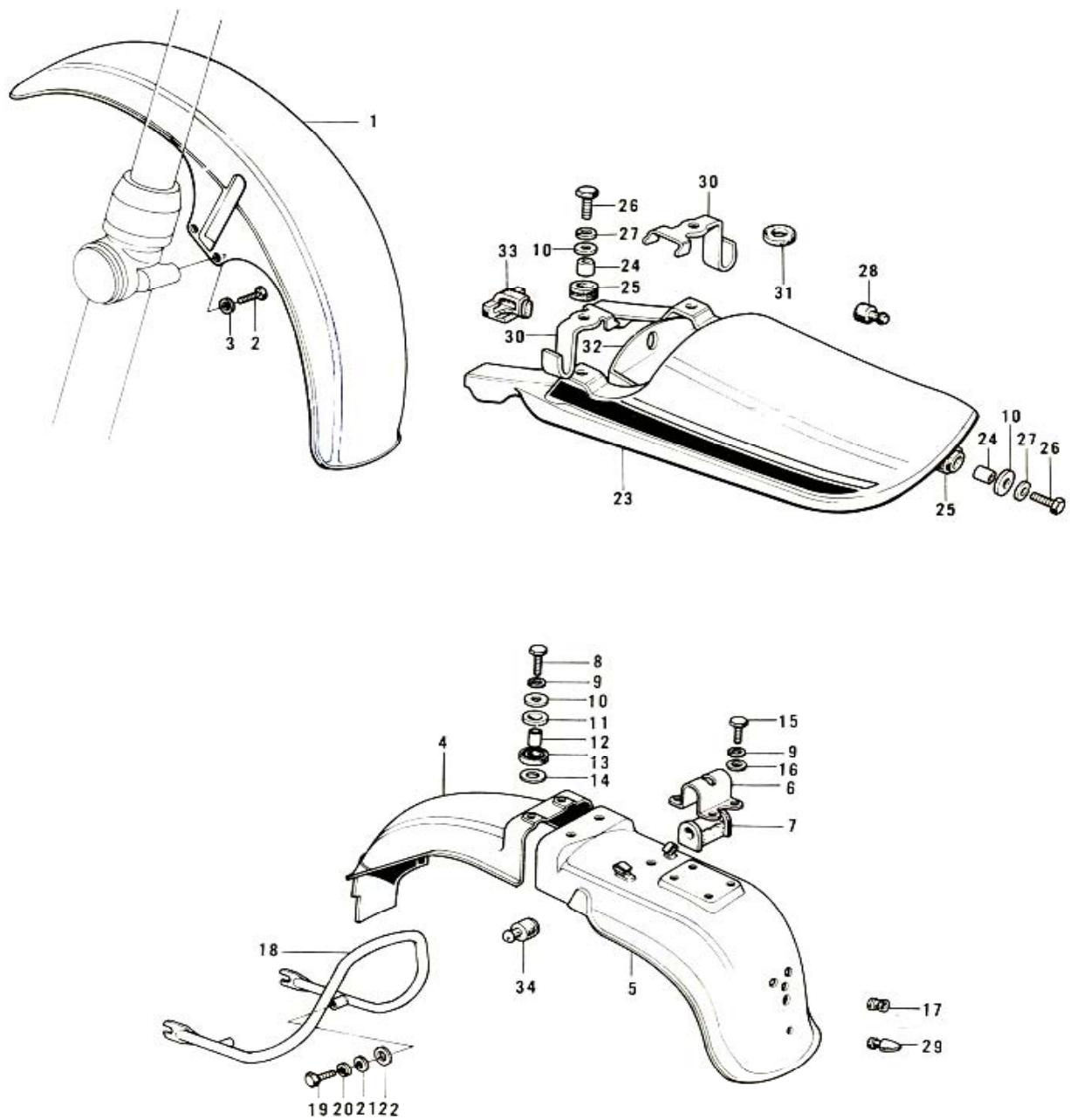
# 19. Footrests, Stands, Brake Pedal



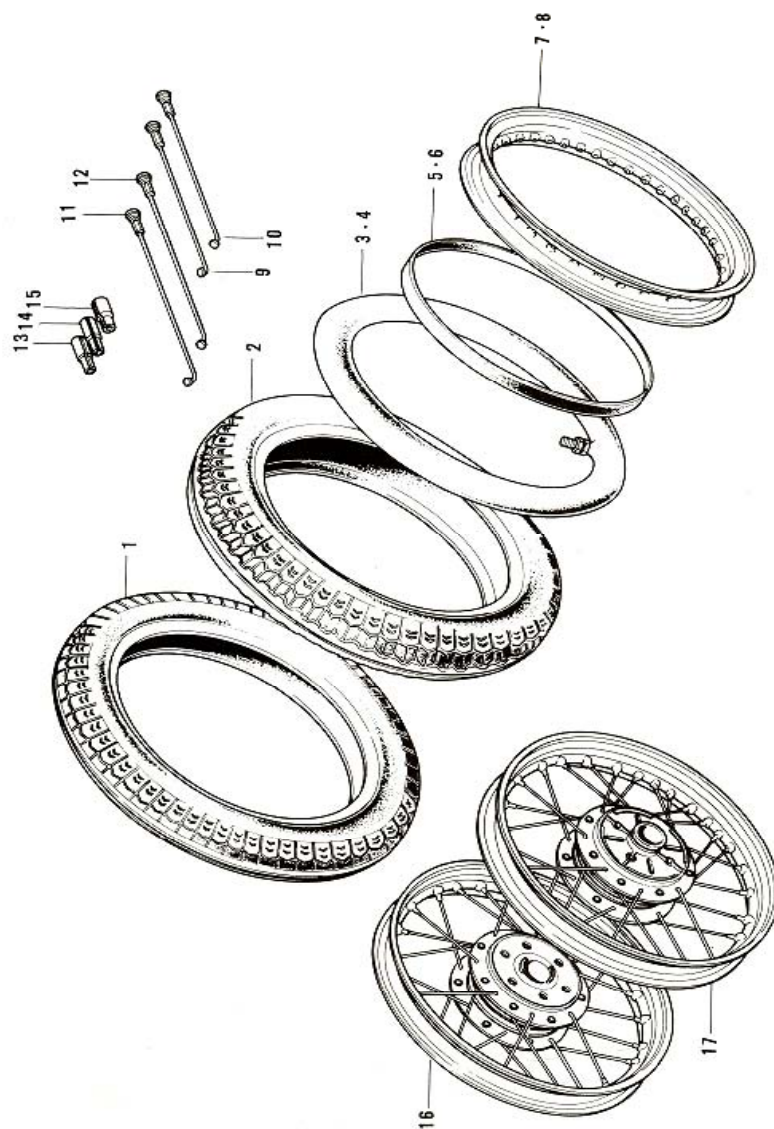
## 20. Handlebar, Grips



## 21. Fender

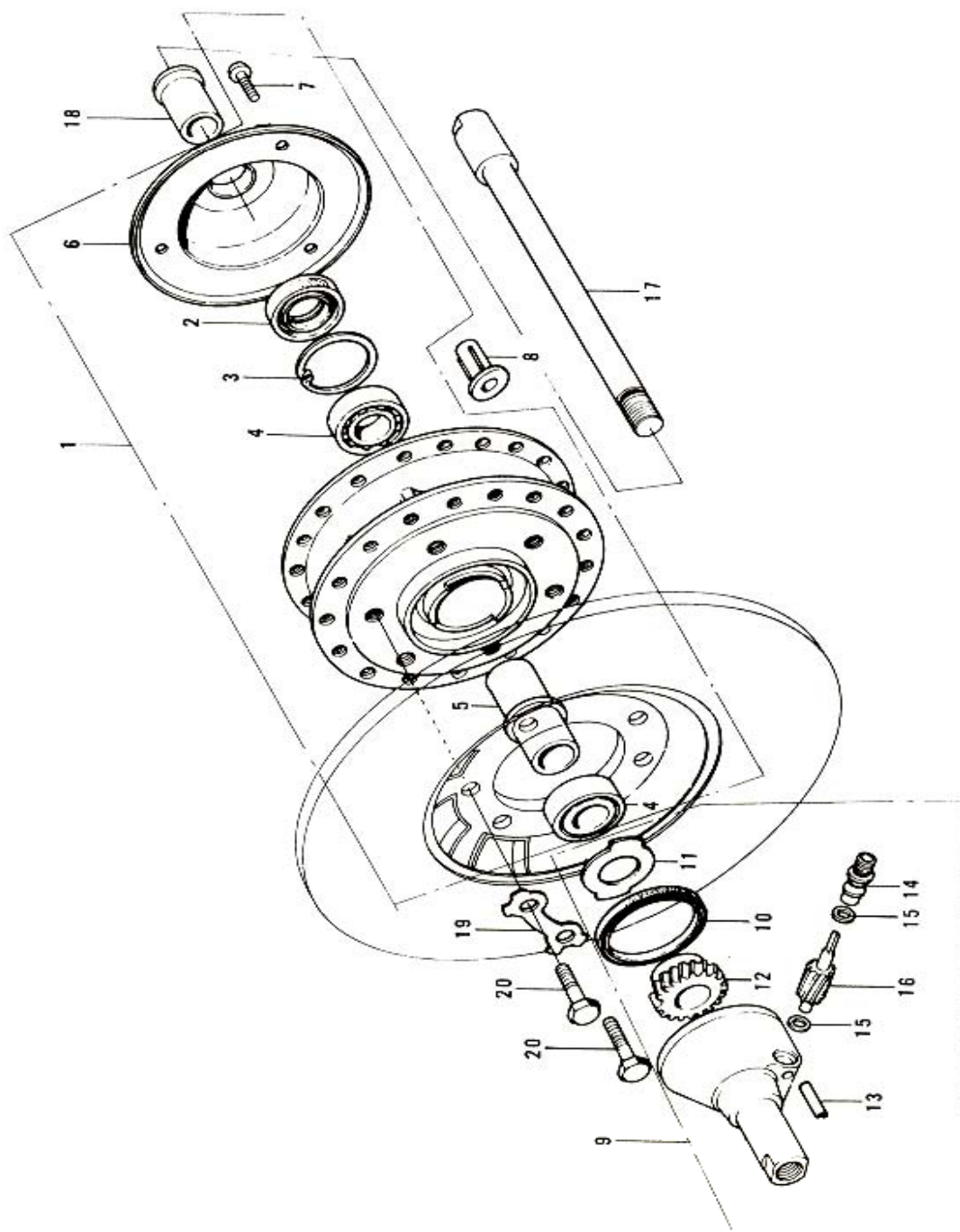


## 22. Wheels

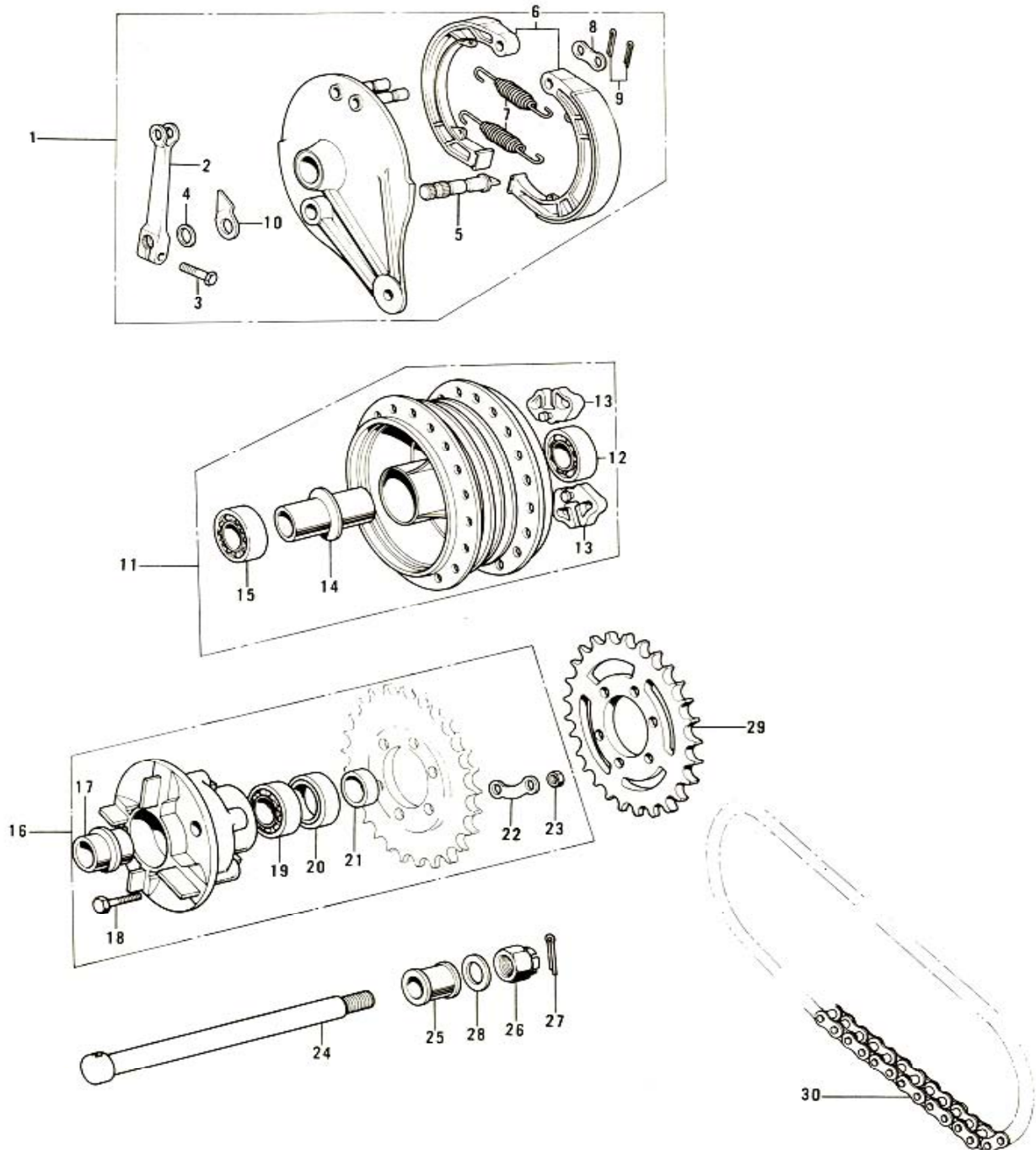




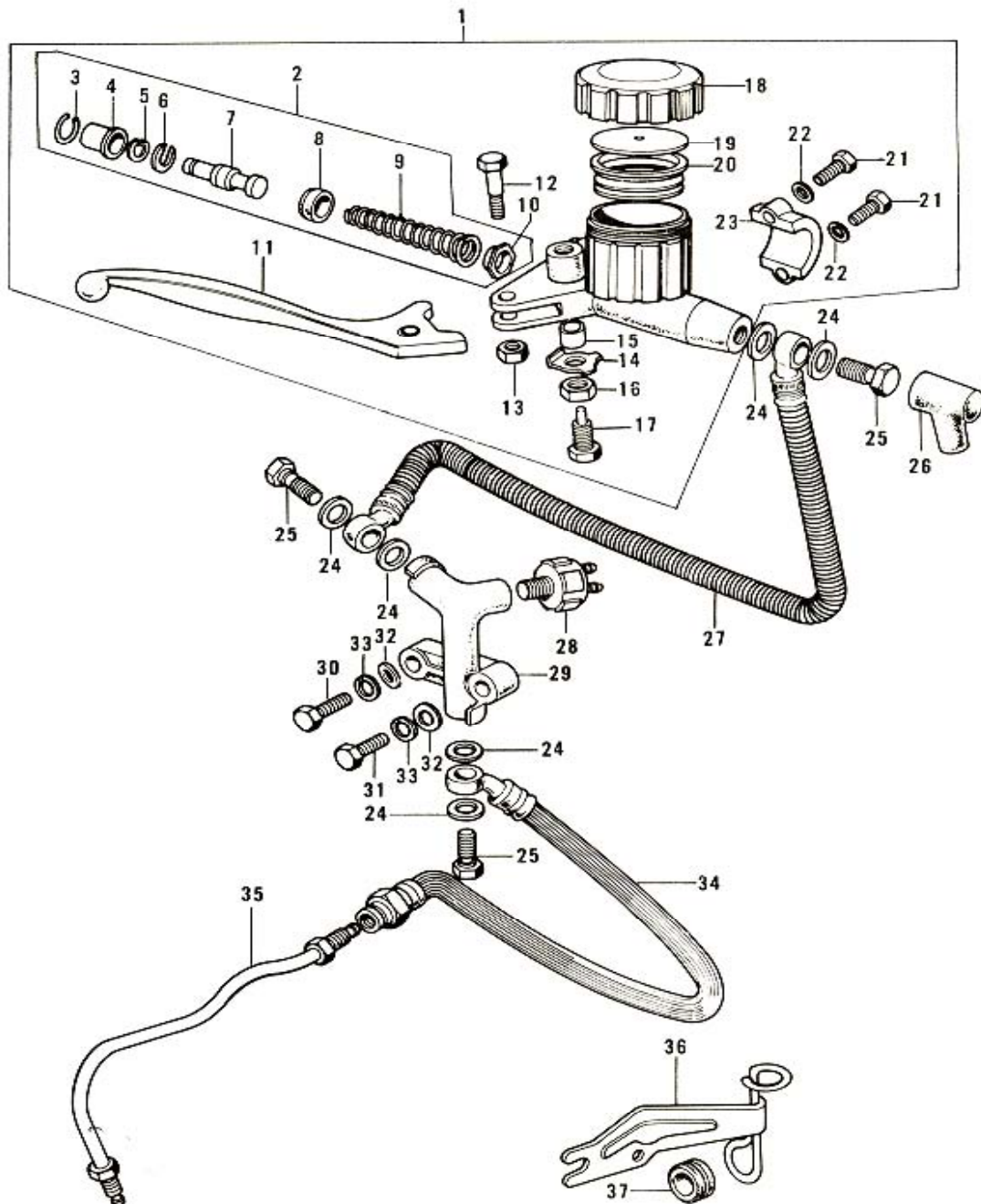
## 23. Front Hub



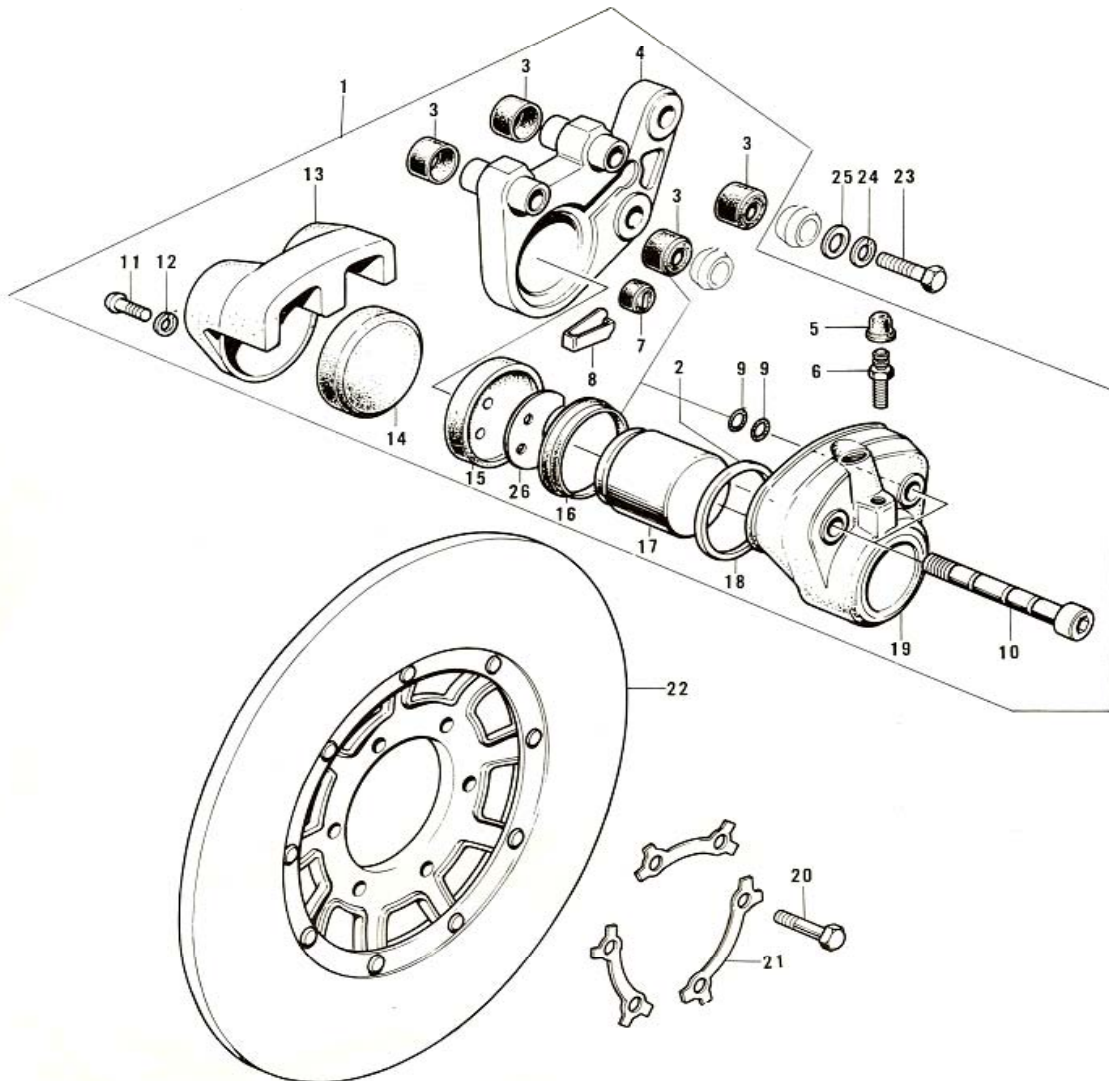
## 24. Rear Hub



## 25. Disc Brake Equipment A

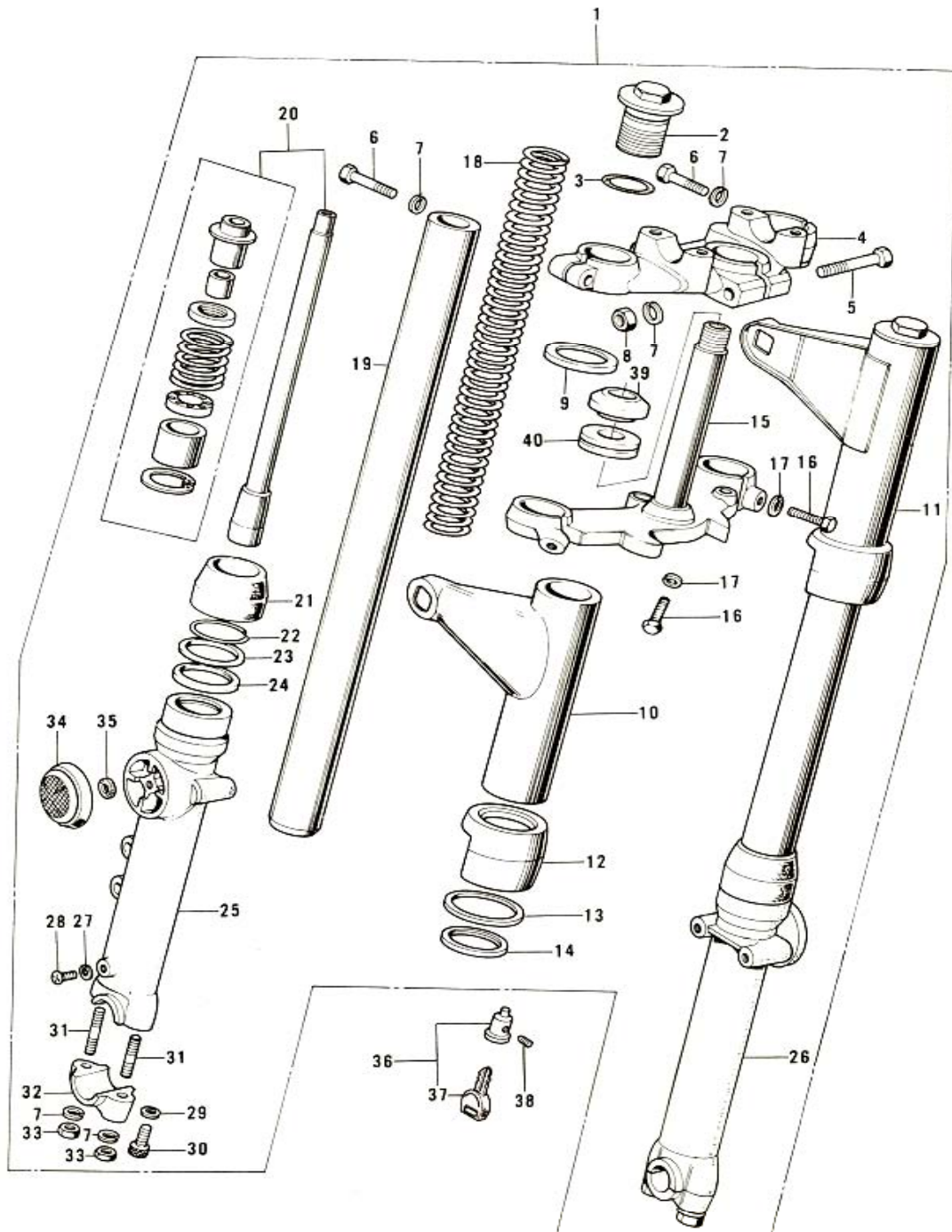


## 26. Disc Brake Equipment B

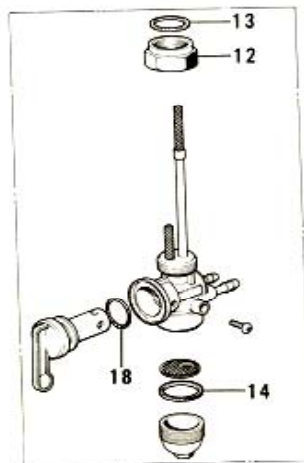
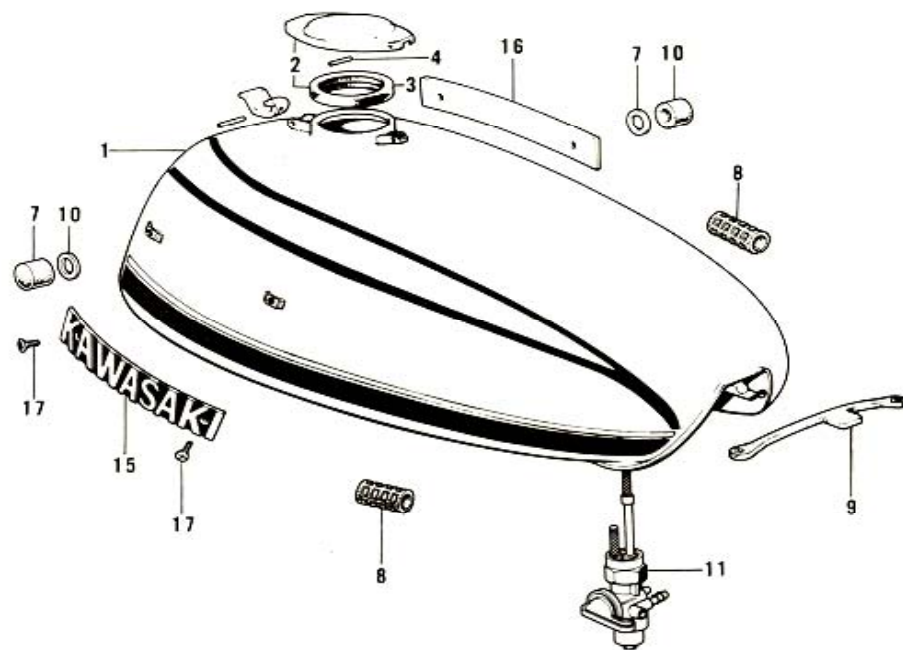




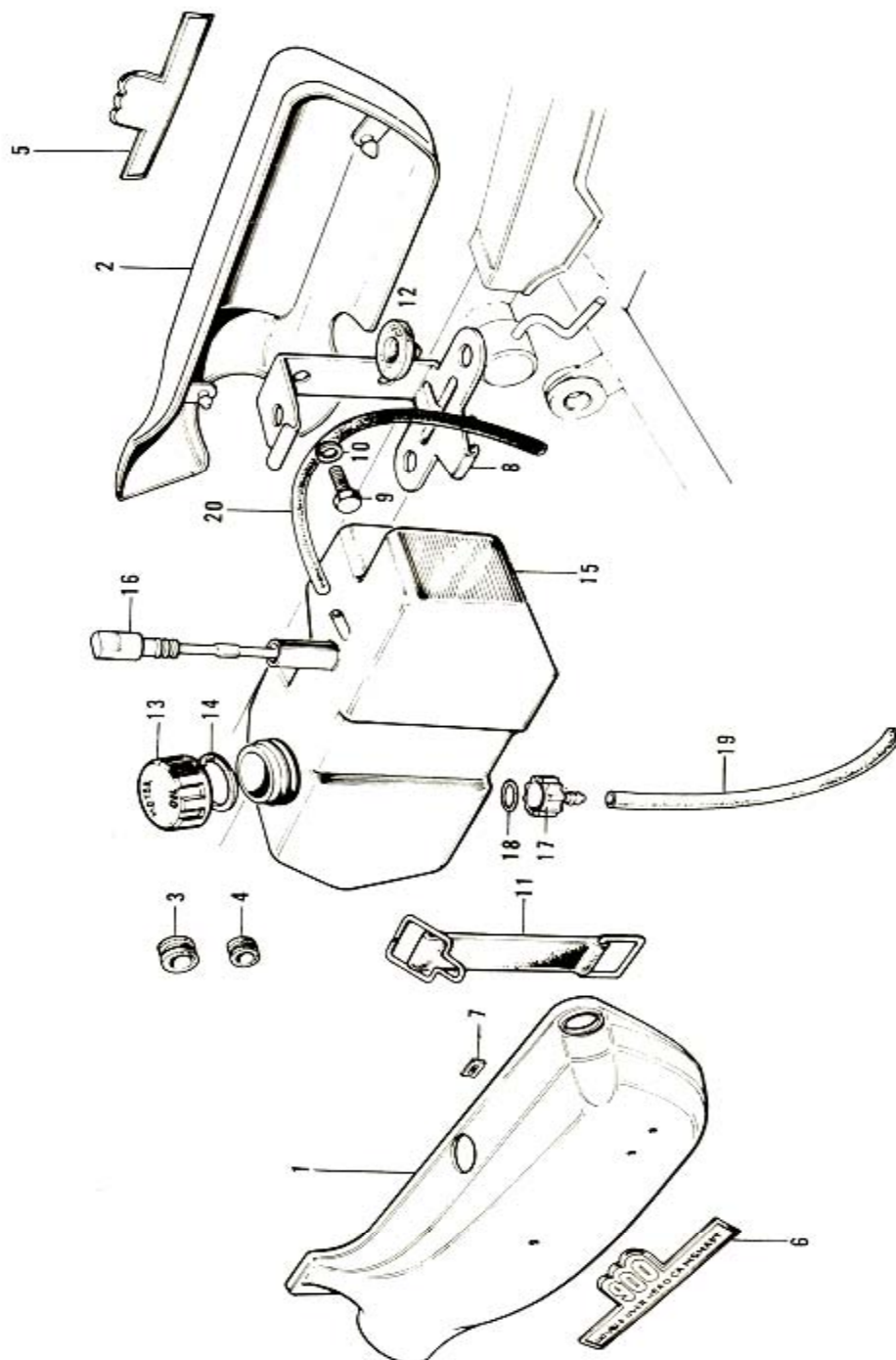
## 27. Front Fork



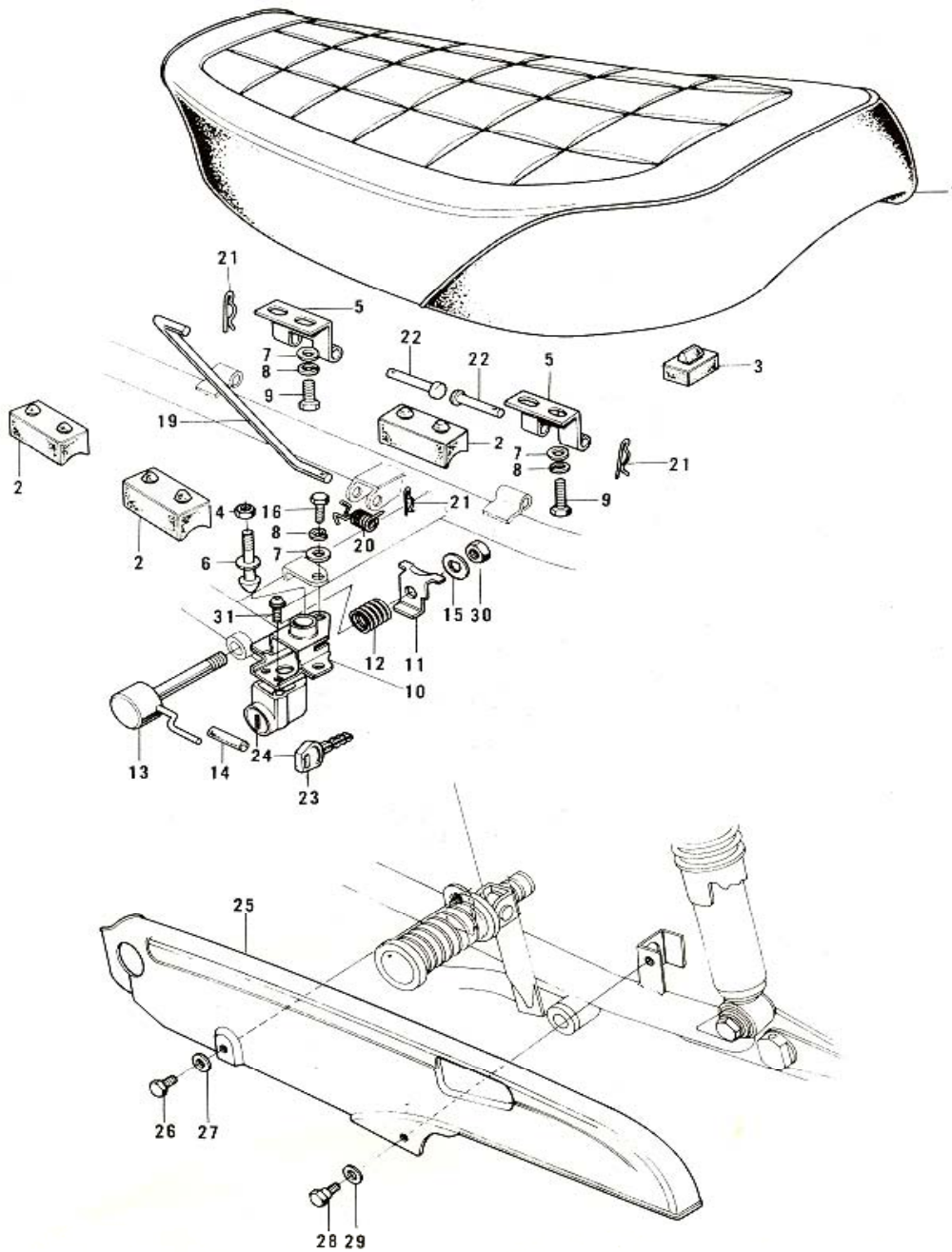
## 28. Fuel Tank



## 29. Oil Tank, Side Covers

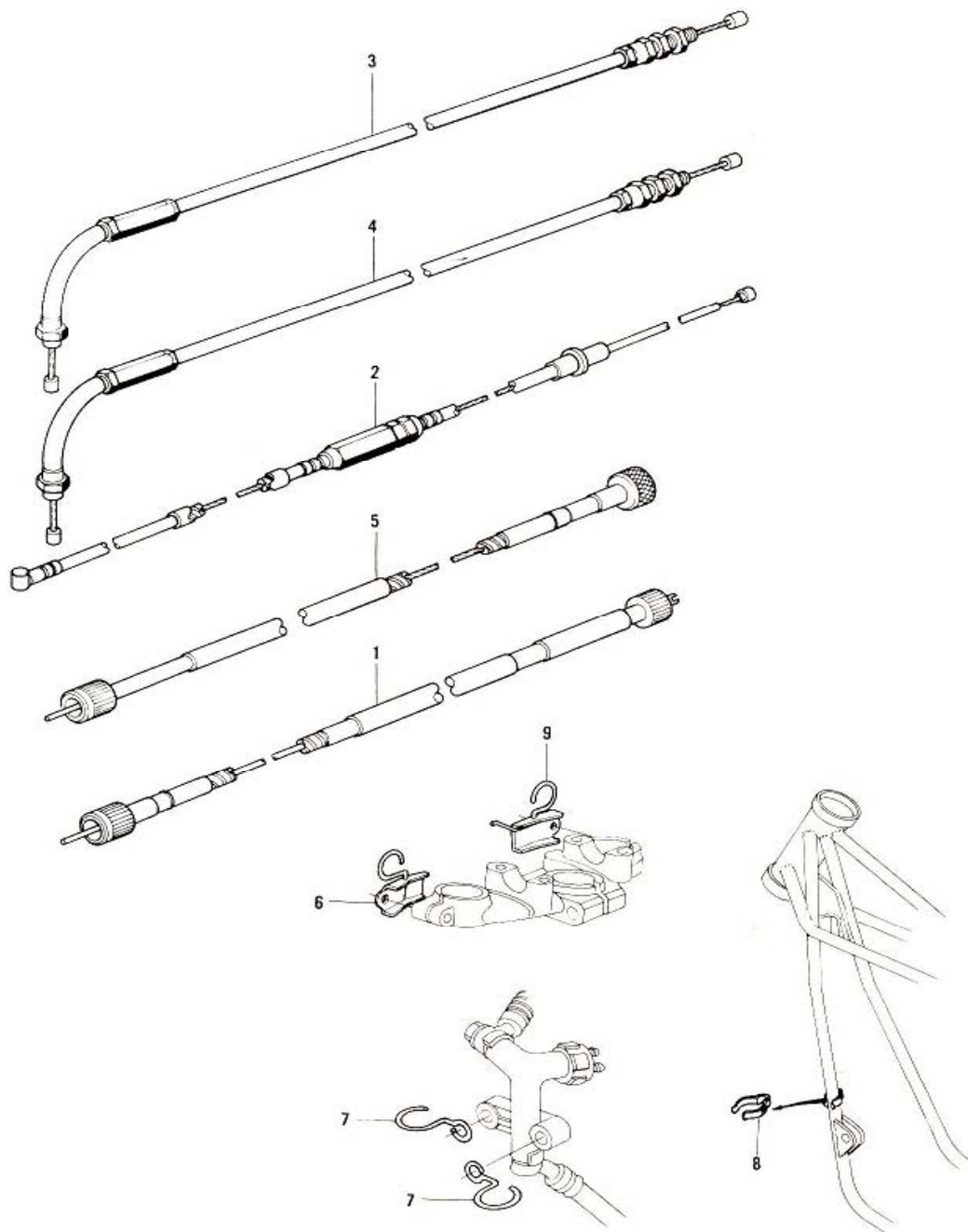


### 30. Dual Seat, Chain Cover

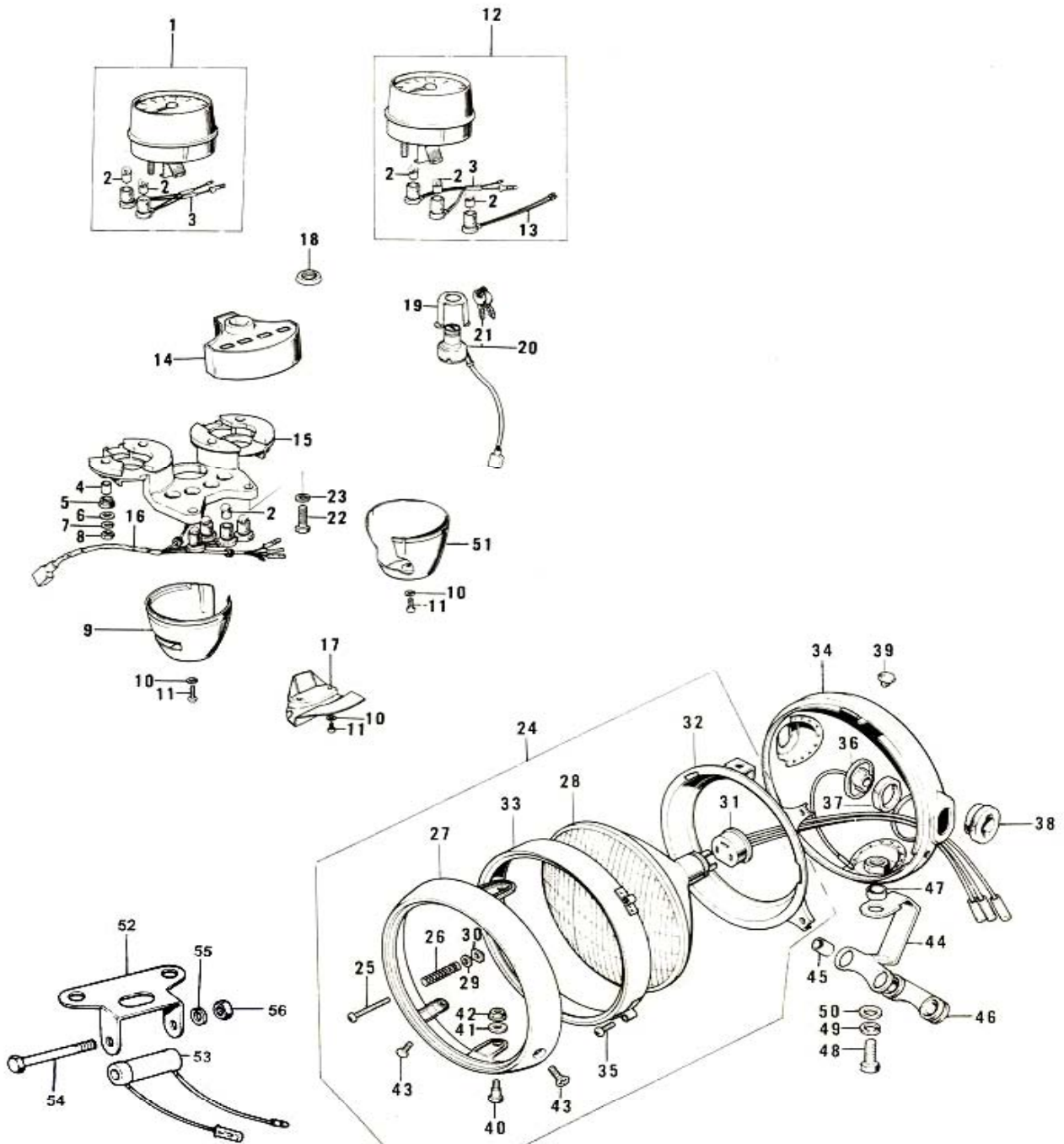




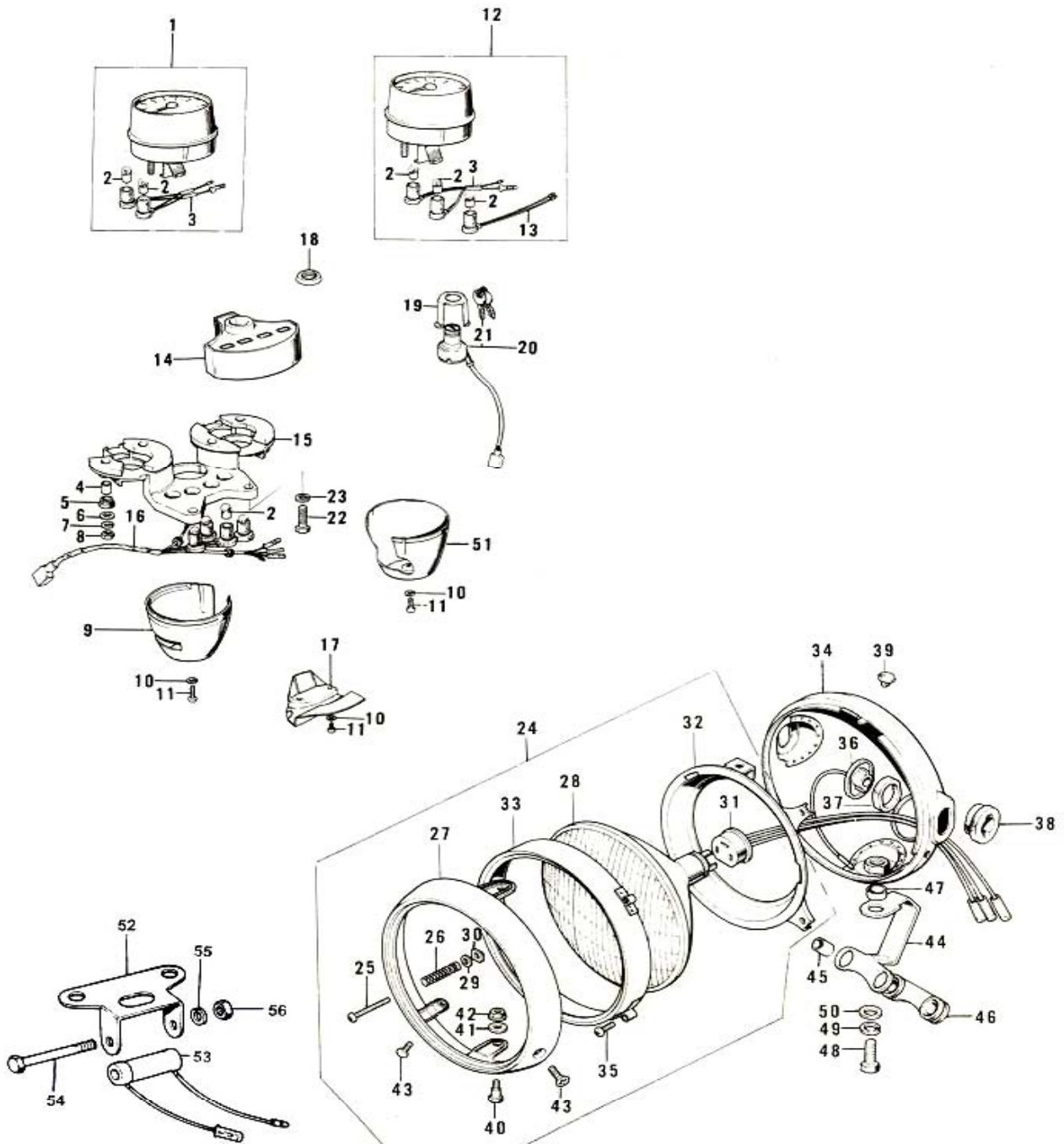
### 31. Cables



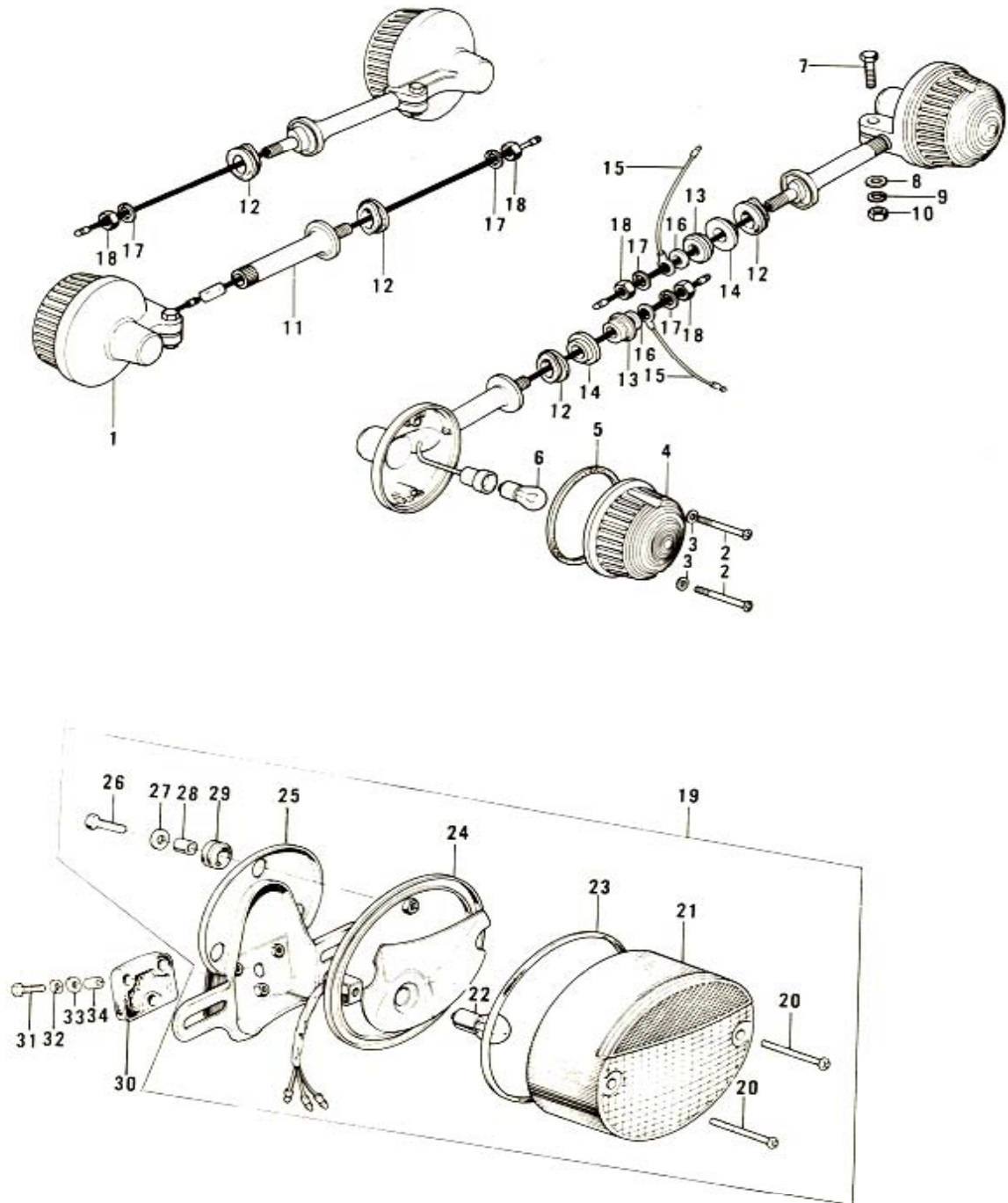
## 32. Electrical Equipments A 1/2



## 32. Electrical Equipments A 2/2

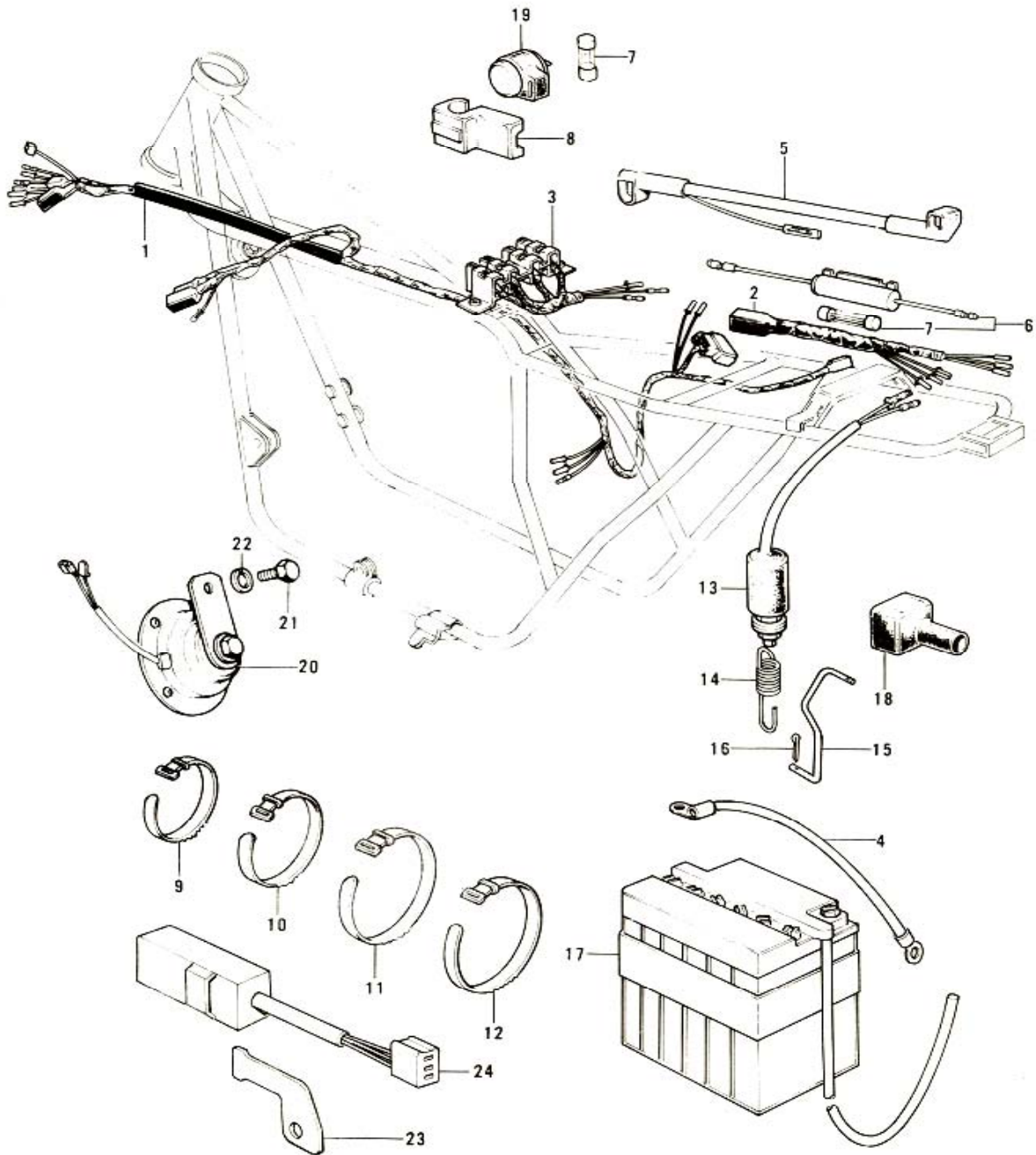


### 33. Electrical Equipments B

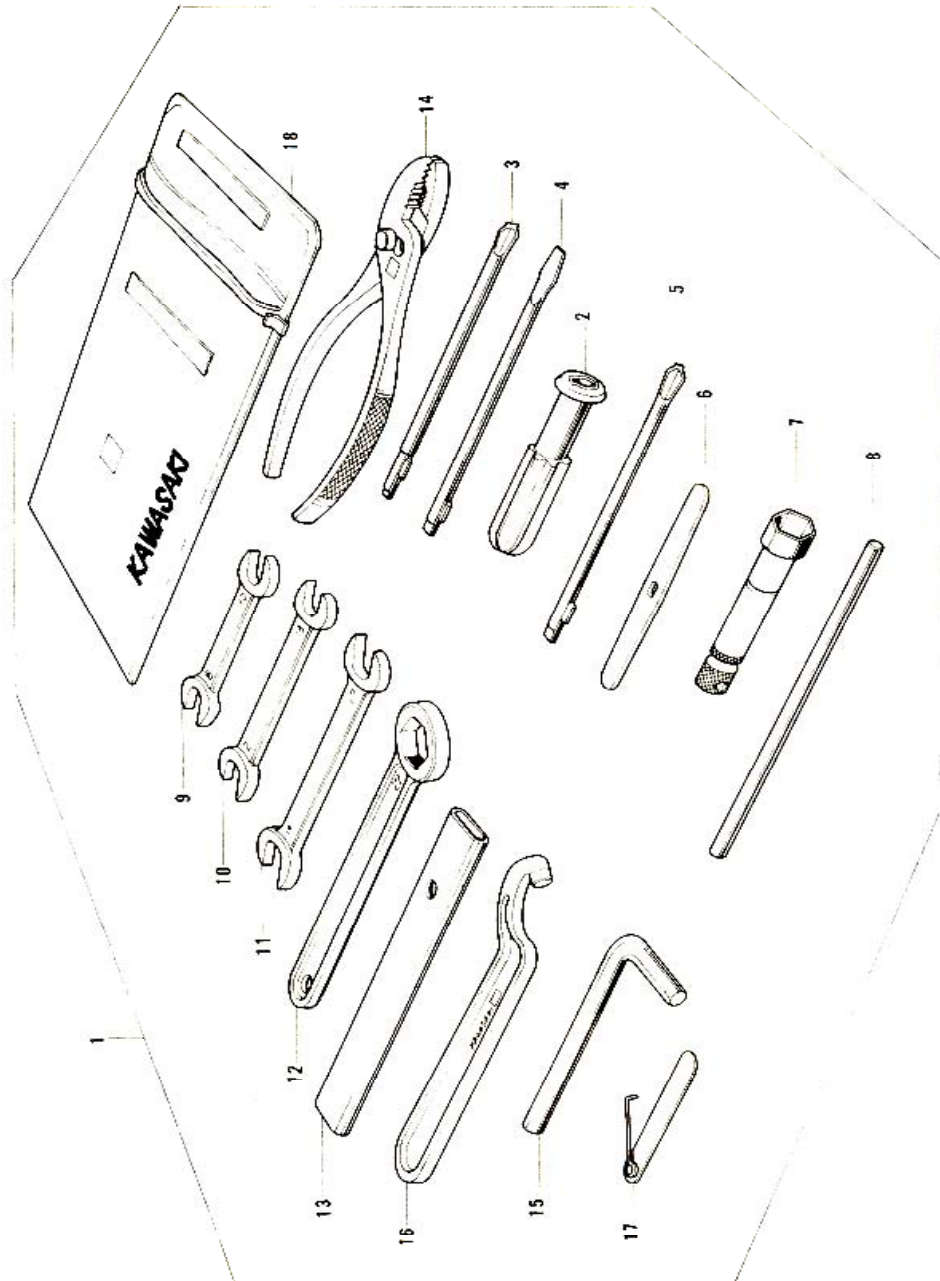




### 34. Electrical Equipments C



## 35. Tools



# 36. Special Service Tools

